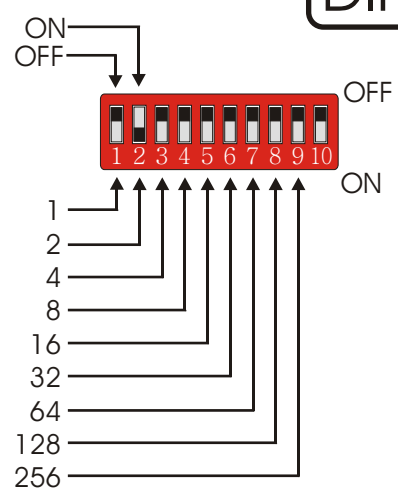


# DIPSWITCH SETTINGS



**Example**

DMX address = 126

$$126 = 64 + 32 + 16 + 8 + 4 + 2$$

Put the switches 64+32+16+8+4+2 in **ON**-position  
All other switches in **OFF**-position

## Example for DMX192 and SCANMASTER192:

<b>SCANNER 1</b>	Start address = 1	= 1	
<b>SCANNER 2</b>	Start address = 17	= 16+1	
<b>SCANNER 3</b>	Start address = 33	= 32+1	
<b>SCANNER 4</b>	Start address = 49	= 32+16+1	
<b>SCANNER 5</b>	Start address = 65	= 64+1	
<b>SCANNER 6</b>	Start address = 81	= 64+16+1	
<b>SCANNER 7</b>	Start address = 97	= 64+32+1	
<b>SCANNER 8</b>	Start address = 113	= 64+32+16+1	
<b>SCANNER 9</b>	Start address = 129	= 128+1	
<b>SCANNER 10</b>	Start address = 145	= 128+16+1	
<b>SCANNER 11</b>	Start address = 161	= 128+32+1	
<b>SCANNER 12</b>	Start address = 177	= 128+32+16+1	