

SPACE 2

Laser



Operation Manual EN
Mode d'emploi FR
Gebruiksaanwijzing NL
Bedienungsanleitung DU
Manual de instrucciones ES
Manual do utilizador PT



WWW.BEGLEC.COM

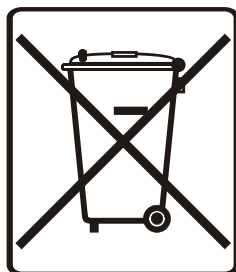
Copyright © 2007 by BEGLEC cva.

Reproduction or publication of the content in any manner, without express permission of the publisher, is prohibited.

CE

Version: 1.0

JBSYSTEMS
Light



EN - DISPOSAL OF THE DEVICE

Dispose of the unit and used batteries in an environment friendly manner according to your country regulations.

FR - DÉCLASSER L'APPAREIL

Débarrassez-vous de l'appareil et des piles usagées de manière écologique Conformément aux dispositions légales de votre pays.

NL - VERWIJDEREN VAN HET APPARAAT

Verwijder het toestel en de gebruikte batterijen op een milieuvriendelijke manier conform de in uw land geldende voorschriften.

DU - ENTSORGUNG DES GERÄTS

Entsorgen Sie das Gerät und die Batterien auf umweltfreundliche Art und Weise gemäß den Vorschriften Ihres Landes.

ES - DESHACERSE DEL APARATO

Reciclar el aparato y pilas usadas de forma ecologica conforme a las disposiciones legales de su pais.

PT - COMO DESFAZER-SE DA UNIDADE

Tente reciclar a unidade e as pilhas usadas respeitando o ambiente e em conformidade com as normas vigentes no seu país.

OPERATION MANUAL

Thank you for buying this JB Systems® product. To take full advantage of all possibilities and for your own safety, please read these operating instructions very carefully before you start using this unit.

FEATURES

This unit is radio-interference suppressed. This product meets the requirements of the current European and national guidelines. Conformity has been established and the relevant statements and documents have been deposited by the manufacturer.

- This device has been designed to produce decorative effect lighting and is used in light show systems.
- Compact but very effective 30mW Green class 3B laser
- More than 100 wonderful preprogrammed laser patterns
- Two working modes:
 - Stand alone audio mode with built-in microphone
 - Stand alone automatic mode
- Complies to EN/IEC 60825-1 for Laser Safety
- Interlock output to connect an optional emergency switch

BEFORE USE

- Before you start using this unit, please check if there's no transportation damage. Should there be any, do not use the device and consult your dealer first.
- **Important:** This device left our factory in perfect condition and well packaged. It is absolutely necessary for the user to strictly follow the safety instructions and warnings in this user manual. Any damage caused by mishandling is not subject to warranty. The dealer will not accept responsibility for any resulting defects or problems caused by disregarding this user manual.
- Keep this booklet in a safe place for future consultation. If you sell the fixture, be sure to add this user manual.

Check the contents:

Check that the carton contains the following items:

- SPACE2 Laser unit
- 2 keys (for key switch)
- Mains cable
- Operating instructions

SAFETY INSTRUCTIONS:

- To protect the environment, please try to recycle the packing material as much as possible.
- To prevent fire or shock hazard, do not expose this appliance to rain or moisture.
- To avoid condensation to be formed inside, allow the unit to adapt to the surrounding temperatures when bringing it into a warm room after transport. Condense sometimes prevents the unit from working at full performance or may even cause damages.
- This unit is for indoor use only.
- Don't place metal objects or spill liquid inside the unit. Electric shock or malfunction may result. If a foreign object enters the unit, immediately disconnect the mains power.
- Locate the fixture in a well ventilated spot, away from any flammable materials and/or liquids. The fixture must be fixed at least 50cm from surrounding walls.
- Don't cover any ventilation openings as this may result in overheating.
- Prevent use in dusty environments and clean the unit regularly.
- Keep the unit away from children.
- Inexperienced persons should not operate this device.
- Maximum save ambient temperature is 40°C. Don't use this unit at higher ambient temperatures.
- Make sure the area below the installation place is free from unwanted persons during rigging, de-rigging and servicing.
- Allow the device about 10 minutes to cool down before replacing the bulb or start servicing.
- Always unplug the unit when it is not used for a longer time or before replacing the bulb or start servicing.
- The electrical installation should be carried out by qualified personal only, according to the regulations for electrical and mechanical safety in your country.
- Check that the available voltage is not higher than the one stated on the rear panel of the unit.
- The power cord should always be in perfect condition: switch the unit immediately off when the power cord is squashed or damaged.
- Never let the power-cord come into contact with other cables!
- This fixture must be earthed to in order comply with safety regulations.
- Don't connect the unit to any dimmer pack.
- Always use an appropriate and certified safety cable when installing the unit.
- In order to prevent electric shock, do not open the cover. Apart from the lamp and mains fuse there are no user serviceable parts inside.
- **Never** repair a fuse or bypass the fuse holder. **Always** replace a damaged fuse with a fuse of the same type and electrical specifications!
- In the event of serious operating problems, stop using the fixture and contact your dealer immediately.
- The housing and the lenses must be replaced if they are visibly damaged.
- Please use the original packing when the device is to be transported.
- Due to safety reasons it is prohibited to make unauthorized modifications to the unit.

Important: Never look directly into the light source! Don't use the effect in the presence of persons suffering from epilepsy.

LASER SAFETY INSTRUCTIONS:

- According to the EN 60825-1:1994 + A1:2002 + A2:2002 regulations, this laser falls under the classification 3B. Direct eye exposure can be dangerous.



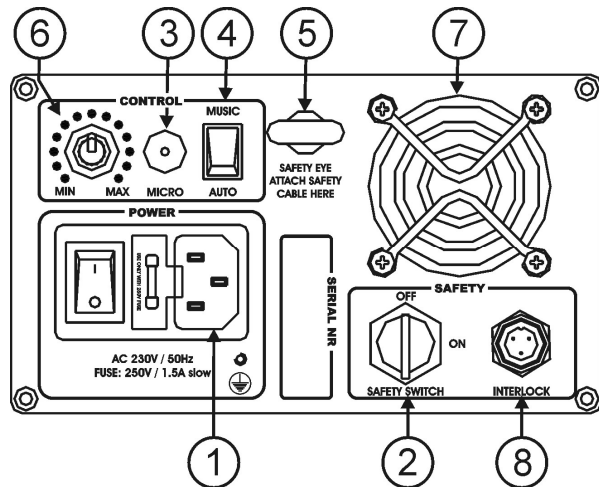
DANGER: LASER RADIATION !
 Avoid direct eye exposure! Laser radiation can cause eye damage and/or skin damage. All protective measures for a safe operation of this laser must be applied.



- This product is a so-called show laser, emitting radiation with a wavelength spectrum between 400 and 700 nm and producing lighting effects for shows.
- Due to the construction of this laser, the beam is moved so fast, that it can only hit the eye very short. This is why the use of this laser for a Laser-Light-Show can be regarded as safe.
- Never direct the laser beam to people or animals and never leave this device running unattended.
- This laser may only be used for shows. The operation of a class 3B show laser is only allowed if the operation is controlled by a skilled and well-trained operator.
- Depending on the classification, operating a laser product can produce laser radiation that may cause permanent eye damage and/or skin damage. The legal instructions for using a laser product vary from country to country. The user must always inform himself on the legal instructions valid in his country and apply them to his situation.

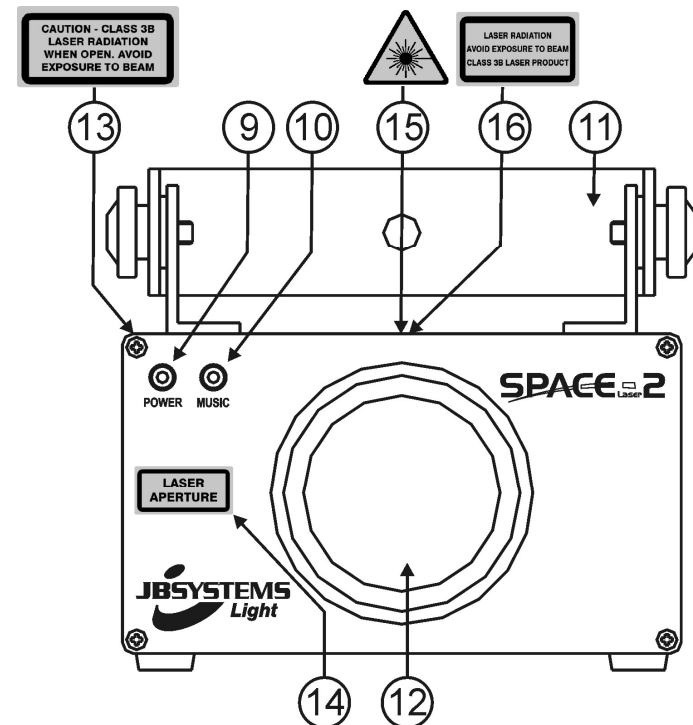
Please note that **JB SYSTEMS** cannot be made liable for damages caused by incorrect installations and unskilled operation!

DESCRIPTION:



1. **MAINS INPUT:** with IEC socket, power switch and integrated fuse holder, connect the supplied mains cable here.

2. **ON/OFF KEY ACTUATED SWITCH:** used to switch the unit on/off. Use the keys to make sure only a skilled operator is able to switch the laser on.
3. **INTERNAL MICROPHONE:** The built-in microphone is used to synchronize the laser show to the beat of the music.
4. **AUTO/MUSIC SWITCH:** when the unit is used in stand-alone mode, this switch sets the laser in music mode (patterns move to the rhythm of the beat) or auto mode (patterns move automatically)
5. **SAFETY EYE:** used to attach a safety cable when the unit is rigged (see paragraph "overhead rigging")
6. **MUSIC INPUT SENSITIVITY:** This potentiometer is used to adjust the music input sensitivity. Turn the potentiometer until the laser works in sync with the music.
7. **COOLING FAN:** used to cool the components inside the enclosure. Make sure to never cover this fan outlet!
8. **INTERLOCK input:** used to connect the optional emergency stop switch (see picture). When you push this switch the laser beam will disappear immediately. **IMPORTANT! For your own safety we strongly recommend to connect this optional switch!**



9. **POWER LED:** indicates that the unit is switched on.
10. **SOUND LED:** flashes to the sound of the music detected by the internal microphone.

11. **HANGING BRACKET:** with 2 knobs on both sides to fasten the unit and a mounting hole to fix a mounting hook.
12. **LASER OUTPUT:** Here the laser beam leaves the enclosure, make sure to NEVER look inside the unit through this opening while the laser effect is switched on!
13. **WARNING LABEL:** "Caution – Class 3B laser. Laser Radiation when open. Avoid exposure to beam."
14. **WARNING LABEL:** "Laser Aperture"
15. **LASER WARNING SIGN:** warns against a potentially dangerous laser when not used by skilled operators.
16. **WARNING LABEL:** "Laser Radiation. Avoid exposure to beam. Class 3B laser product"

OVERHEAD RIGGING

- **Important:** The installation must be carried out by qualified service personal only. Improper installation can result in serious injuries and/or damage to property. Overhead rigging requires extensive experience! Working load limits should be respected, certified installation materials should be used, the installed device should be inspected regularly for safety.
- Make sure the area below the installation place is free from unwanted persons during rigging, de-rigging and servicing.
- Locate the fixture in a well ventilated spot, far away from any flammable materials and/or liquids. The fixture must be fixed **at least 50cm** from surrounding walls.
- The device should be installed out of reach of people and outside areas where persons may walk by or be seated.
- Before rigging make sure that the installation area can hold a minimum point load of 10times the device's weight.
- Always use a certified safety cable that can hold 12times the weight of the device when installing the unit. This secondary safety attachment should be installed in a way that no part of the installation can drop more than 20cm if the main attachment fails.
- The device should be well fixed; a free-swinging mounting is dangerous and may not be considered!
- Don't cover any ventilation openings as this may result in overheating.
- The operator has to make sure that the safety-relating and machine-technical installations are approved by an expert before using them for the first time. The installations should be inspected every year by a skilled person to be sure that safety is still optimal.



CAUTION EYEDAMAGE: Always position the laser in a way that prevents the audience from looking directly into the laser beams. The installation should assure that the beam will not strike the audience.

HOW TO SET UP AND CONTROL THE UNIT

- Regular breaks during operation are essential to maximize the life of this device as it is not designed for continual use.
- Do not switch the unit on and off in short time intervals as this reduces the lamp life.
- Always unplug the unit when it is not used for a longer time or before servicing.
- In the event of serious operating problems, stop using the fixture and contact your dealer immediately.
- **Important:** Never look directly into the laser beam! Don't use the effect in the presence of persons suffering from epilepsy.

You can operate the unit in 2 ways:

1) AUTOMATIC STAND-ALONE MODE:

- Put switch auto/music switch (4) in "auto" position.
- Switch the unit on with the power switch (1) and/or key actuated on/off switch (2).

2) MUSIC CONTROLLED STAND-ALONE MODE:

- Put switch auto/music switch (4) in "music" position.
- Switch the unit on with the power switch (1) and/or key actuated on/off switch (2).
- Put on some rhythmic music at the desired level.
- Turn the music sensitivity potentiometer until the laser beam nicely follows the beat of the music.

MAINTENANCE

- Make sure the area below the installation place is free from unwanted persons during servicing.
 - Switch off the unit, unplug the mains cable and wait until the unit has been cooled down.
- During inspection the following points should be checked:**
- All screws used for installing the device and any of its parts should be tightly fastened and may not be corroded.
 - Housings, fixations and installations spots (ceiling, truss, suspensions) should be totally free from any deformation.
 - When an optical lens is visibly damaged due to cracks or deep scratches, it must be replaced.
 - The mains cables must be in impeccable condition and should be replaced immediately when even a small problem is detected.
 - In order to protect the device from overheat the cooling fans (if any) and ventilation openings should be cleaned monthly.
 - The interior of the device should be cleaned annually using a vacuum cleaner or air-jet.
 - The cleaning of internal and external optical lenses and/or mirrors must be carried out periodically to optimize light output. Cleaning frequency depends on the environment in which the fixture operates: damp, smoky or particularly dirty surroundings can cause greater accumulation of dirt on the unit's optics.
 - Clean with a soft cloth using normal glass cleaning products.
 - Always dry the parts carefully.
 - Clean the external optics at least once every 30 days.

- Clean the internal optics at least every 90 days.

Attention: We strongly recommend internal cleaning to be carried out by qualified personnel!

SPECIFICATIONS

Mains Input:	AC 230V, 50Hz
Rated Power:	12W
Fuse:	250V 1.5A slow blow (20mm glass)
Sound Control:	Internal microphone
Laser Power:	30mW Green CW laser ($\lambda = 532\text{nm}$)
Laser radiation class:	3B
Laser Safety Standard:	EN60825-1:1994 + A1:2002 + A2:2002
Size:	24,6 x 14,5 x 8,6 cm
Weight:	2,7kg

Every information is subject to change without prior notice

You can download the latest version of this user manual on our website: www.beglec.com

MODE D'EMPLOI

Merci d'avoir choisi ce produit JB Systems®. Pour votre sécurité et pour une utilisation optimale de toutes les possibilités de l'appareil, lisez attentivement cette notice avant utilisation.

CARACTERISTIQUES

Cet appareil ne produit pas d'interférences radio. Il répond aux exigences nationales et européennes. La conformité a été établie et les déclarations et documents correspondants ont été déposés par le fabricant.

- Cet appareil a été conçu pour la production d'effets lumière décoratifs et est utilisé dans des spectacles lumineux.
- Laser 30mW vert compact mais puissant
- Plus de 100 motifs préprogrammés.
- Deux modes de fonctionnement:
 - Autonome avec microphone incorporé
 - Autonome avec mode automatique
- En accord avec les normes EN/IEC 60825-1 pour la Sécurité Laser
- Entrée INTERLOCK: possibilité de relier un commutateur d'arrêt d'urgence (facultatif)

AVANT UTILISATION

- Avant d'utiliser cet appareil, assurez-vous de l'absence de dommage lié au transport. En cas d'endommagement, n'utilisez pas l'appareil et contactez le vendeur.
- **Important:** Cet appareil a quitté notre usine en parfaite condition et bien emballé. Il est primordial que l'utilisateur suive les instructions de sécurité et avertissements inclus dans ce manuel. La garantie ne s'applique pas en cas de dommage lié à une utilisation incorrecte. Le vendeur ne prend pas la responsabilité des défauts ou de tout problème résultant du fait de n'avoir pas tenu compte des mises en garde de ce manuel.
- Conservez ce manuel dans un endroit sûr pour toute consultation future. Si vous vendez l'appareil, assurez-vous d'y joindre ce manuel également.

Vérifiez le contenu:

Vérifiez si l'emballage contient les articles suivants:

- SPACE2 Laser Unit
- 2 clés (pour l'interrupteur à clé)
- Câble d'alimentation
- Mode d'emploi

INSTRUCTIONS DE SECURITE:

- Afin de protéger l'environnement, merci de recycler les emballages autant que possible.
- Afin d'éviter tout risque d'incendie ou de choc électrique, ne pas exposer cet appareil à la pluie ou l'humidité.
- Pour éviter la formation de condensation à l'intérieur de l'appareil, patientez quelques minutes pour laisser l'appareil s'adapter à la température ambiante lorsqu'il arrive dans une pièce chauffée après le transport. La condensation empêche l'unité de fonctionner en performance optimale et peut même causer des dommages.
- Cette unité est destinée à une utilisation à l'intérieur uniquement.
- Ne pas insérer d'objet métallique ou verser un liquide dans l'appareil. Risque de choc électrique ou de dysfonctionnement. Si un corps étranger est introduit dans l'unité, déconnectez immédiatement de la source d'alimentation.
- Placez l'appareil dans un endroit bien ventilé, éloigné de tout matériau ou liquide inflammable. L'appareil doit être fixé à 50 cm minimum des murs.
- Ne pas couvrir les ouvertures de ventilation, un risque de surchauffe en résulterait.
- Ne pas utiliser dans un environnement poussiéreux et nettoyez l'unité régulièrement.
- Ne pas laisser l'unité à portée des enfants.
- Les personnes non expérimentées ne doivent pas utiliser cet appareil.
- La température ambiante maximum d'utilisation de l'appareil est de 40°C. Ne pas l'utiliser au-delà de cette température.
- Assurez-vous que la zone au-dessous du lieu d'installation ne comporte pas de personnes indésirables pendant le montage, le démontage et les opérations de maintenance.
- Laissez l'appareil refroidir environ 10 minutes avant de remplacer l'ampoule ou d'effectuer des réparations.
- Débranchez toujours l'appareil si vous ne l'utilisez pas pendant une période de temps prolongée avant de changer une ampoule ou d'entreprendre des réparations.
- Les installations électriques ne peuvent être faites que par du personnel qualifié et conformément aux réglementations de sécurité électrique et mécanique en vigueur dans votre pays.
- Assurez-vous que le voltage de la source d'alimentation de la zone dans laquelle vous vous trouvez ne dépasse pas celui indiqué à l'arrière de l'appareil.
- Le cordon d'alimentation doit toujours être en condition parfaite. Mettez immédiatement l'unité hors tension si le cordon est écrasé ou endommagé.
- Ne laissez jamais le cordon d'alimentation entrer en contact avec d'autres câbles !
- L'appareil doit être à la masse selon les règles de sécurités.
- Ne pas connecter l'unité à un variateur de lumière.
- Utilisez toujours les câbles appropriés et certifiés lorsque vous installez l'unité.
- Pour éviter tout choc électrique, ne pas ouvrir l'appareil. En dehors des ampoules et du fusible principal, il n'y a pas de pièces pouvant être changées par l'utilisateur à l'intérieur.
- **Ne jamais** réparer ou court-circuiter un fusible. Remplacez **systématiquement** un fusible endommagé par un fusible de même type et spécifications électriques !
- En cas de problèmes de fonctionnement sérieux, arrêtez toute utilisation de l'appareil et contactez votre revendeur immédiatement.
- La coque et les lentilles doivent être remplacées si visiblement endommagées.
- Utilisez l'emballage d'origine si l'appareil doit être transporté.

- Pour des raisons de sécurité, il est interdit d'apporter toute modification à l'unité non spécifiquement autorisée par les parties responsables.

Important: Ne jamais fixer directement la source de lumière ! Ne pas utiliser d'effets en présence de personnes souffrant d'épilepsie.

INSTRUCTIONS DE SECURITE LASER:

- Selon la réglementation EN 60825-1:1994 + A1:2002 + A2:2002, ce laser fait partie de la classe 3B. Une exposition directe des yeux au faisceau peut être dangereux.



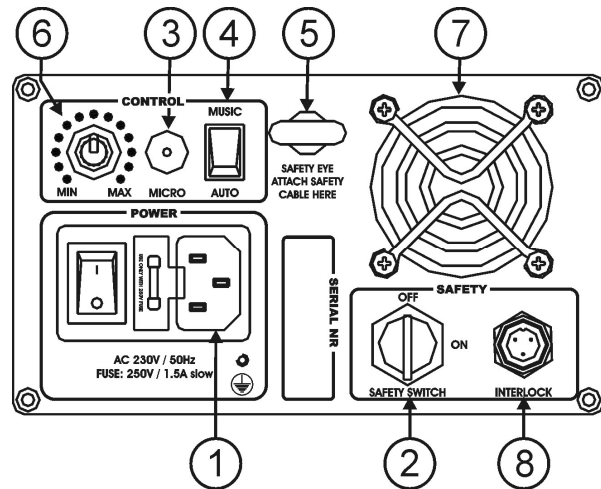
DANGER: RADIATIONS LASER !
 Evitez d'exposer les yeux directement au laser! Les radiations Laser peuvent endommager les yeux et/ou la peau. Toutes les mesures de protection doivent être appliqués pour des raisons de sécurité.



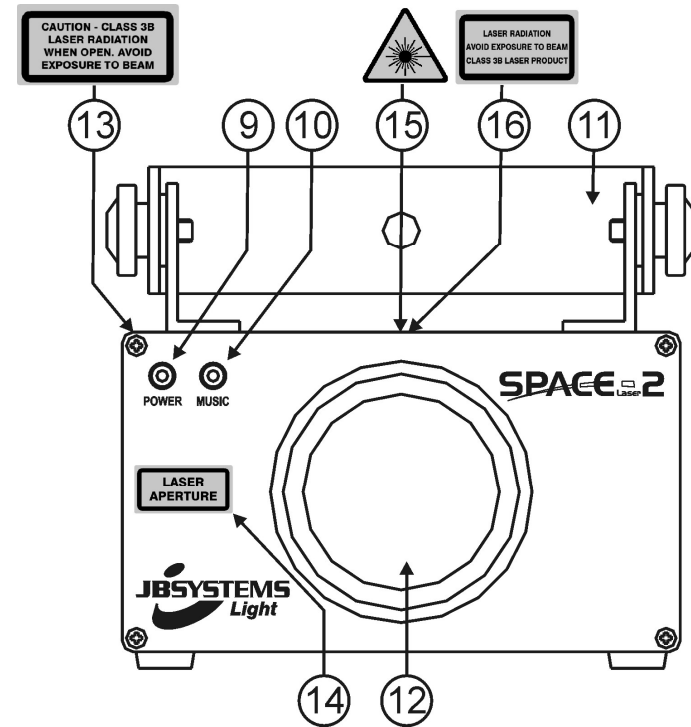
- Ce produit est ce qu'on appelle un laser de spectacle, émettant des radiations avec un spectre de longueurs d'ondes situé entre 400 et 700 nm et produit des effets lumière pour les spectacles.
- La construction de ce laser fait que le faisceau bouge tellement vite, qu'il ne peut toucher l'œil qu'un très bref instant. C'est grâce à cela que l'utilisation de ce laser, pour créer un spectacle lumière, peut être considéré comme sûr.
- Ne dirigez jamais le faisceau laser directement sur des personnes ou animaux et ne laissez jamais fonctionner l'appareil sans surveillance.
- Ce laser peut uniquement être utilisé pour des spectacles. L'utilisation de lasers classe 3B est uniquement autorisé si il est manipulé par des opérateurs qualifiés bien entraînés.
- Dépendant de sa catégorie, l'utilisation d'un laser peut produire des radiations qui endommagent de façon permanente les yeux et/ou la peau. Les lois sur l'utilisation d'un produit laser varie d'un pays à l'autre. L'utilisateur doit toujours s'informer et appliquer les législations et les mesures de sécurité en rigueur dans son pays.

JB SYSTEMS ne peut en aucun cas être tenu comme responsable aux dommages causés par des installations incorrectes et/ou par des opérateurs non qualifiés!

DESCRIPTION:



- ALIMENTATION SECTEUR D'ENTREE:** avec une prise IEC, interrupteur d'allumage et avec fusible incorporé, connectez les câbles d'alimentations fournis à cette prise.
- INTERRUPTEUR A CLE ON/OFF:** utilisé pour allumer / éteindre l'appareil. Utilisez les clés pour vous assurer que seulement un opérateur expérimenté pourra allumer le laser.
- MICROPHONE INTERNE:** Le microphone incorporé est utilisé pour synchroniser le show laser selon le rythme de la musique.
- INTERRUPTEUR AUTO/MUSIQUE :** cet interrupteur programme le laser au rythme de la musique (les motifs bougent en fonction du rythme du battement de la musique) ou en mode automatique (les motifs bougent automatiquement)
- ŒIL DE SECURITE:** utilisé pour attacher un câble de sécurité quand l'appareil est suspendu. (voir paragraphe "montage en hauteur").
- SENSIBILITÉ DE L'ENTRÉE DE LA MUSIQUE:** Ce potentiomètre est utilisé pour régler la sensibilité de l'entrée de la musique. Tournez le potentiomètre jusqu'à ce que le laser fonctionne en synchronisation avec la musique.
- VENTILATEUR DE REFROIDISSEMENT:** utilisé pour refroidir les composants l'intérieur de l'enceinte de l'appareil. Assurez-vous de ne jamais couvrir cette évacuation d'air!
- Entrée INTERLOCK:** donne la possibilité de relier un commutateur d'arrêt d'urgence optionnel. En poussant ce commutateur, le faisceau laser se coupe immédiatement.
IMPORTANT ! Pour votre sécurité on vous conseil d'utiliser ce commutateur optionnel !



- LED D'ALIMENTATION:** indique que l'appareil est allumé.
- LED POUR LE SON:** clignote en fonction du son de la musique détecté par le microphone interne.
- CROCHETS DE SUPPORT:** avec 2 poignées sur les deux côtés pour accrocher l'appareil et un trou de fixation pour fixer un crochet de montage.
- SORTIE LASER:** À cet endroit le laser sort de l'appareil, assurez-vous de NE JAMAIS REGARDER à l'intérieur de l'appareil par cette ouverture pendant que l'effet laser est allumé !
- ÉTIQUETTE ATTENTION:** "Attention – Laser Classe 3B. Radiation Laser si ouvert. Évitez l'exposition aux rayons laser."
- ÉTIQUETTE AVERTISSEMENTS:** "Ouverture Laser"
- SYMBOLE D'AVERTISSEMENT POUR LE LASER:** mets en garde contre un laser potentiellement dangereux s'il n'est pas utilisé par les opérateurs spécialisés.
- ÉTIQUETTE DANGER:** "Radiation Laser. Évitez l'exposition aux rayons laser. Produit Laser Classe 3B".

INSTALLATION EN HAUTEUR

- **Important:** L'installation doit être faite par du personnel qualifié uniquement. Une installation incorrecte peut causer des blessures sévères et/ou endommager l'appareil. L'installation en hauteur exige de l'expérience ! Les limites de charge doivent être respectées, du matériel d'installation certifié doit être utilisé, et l'appareil installé doit subir des inspections de sécurité régulièrement.
- Assurez-vous que la zone au-dessous du lieu d'installation ne comporte pas de personnes indésirables lors de l'installation, la désinstallation ou la maintenance.
- Placez l'appareil dans un endroit bien ventilé, éloigné de tout matériau ou liquide inflammable. L'appareil doit être fixé à **50 cm minimum** des murs aux alentours.
- L'appareil doit être hors de portée du public et en dehors des zones de passage de personnes ou des zones où le public est installé.
- Avant l'installation assurez-vous que la zone d'installation supporte un point localisé minimum de 10 fois le poids de l'appareil.
- Utilisez systématiquement un câble de sécurité qui peut supporter 12 fois le poids de l'appareil lors de l'installation. Ce câble de sécurité secondaire doit être installé de manière à ce qu'aucune partie de l'appareil ne puisse descendre de plus de 20 cm si le support principal tombe.
- L'appareil doit être bien fixé, un montage à balancement est dangereux et ne devrait pas être considéré !
- Ne pas couvrir les ouvertures de ventilation pour éviter tout risque de surchauffe.
- L'utilisateur doit s'assurer que les installations techniques et de sécurité sont bien approuvées par un expert avant la première utilisation. Les installations doivent être inspectées chaque année par du personnel qualifié pour assurer une sécurité optimale.



PRUDENCE, ENDOMMAGEMENT DES YEUX: Positionnez toujours le laser de tel façon que le public ne peut regarder directement dans le faisceau laser. Assurez vous que le faisceau ne « touchera » pas le public.

COMMENT REGLER ET UTILISER LE LASER

- Des pauses régulières dans l'utilisation sont primordiales pour maximiser la durée de vie de l'appareil, puisqu'il n'est pas conçu pour une utilisation continue.
- Ne pas mettre l'unité sous tension et hors tension à de faibles intervalles, cela réduit la durée de vie des ampoules.
- Débranchez systématiquement l'appareil s'il n'est pas utilisé pour une période prolongée.
- En cas de problèmes de fonctionnement sérieux, arrêtez toute utilisation de l'appareil et contactez votre revendeur immédiatement.
- **Important:** Ne jamais fixer directement le rayon laser ! Ne pas utiliser d'effets en présence de personnes souffrant d'épilepsie.

Vous pouvez utiliser l'appareil selon 2façons:

1) MODE AUTONOME AUTOMATIQUE:

- Mettez l'interrupteur auto/musique (4) sur "auto".
- Allumez l'appareil avec l'interrupteur d'allumage (1) et/ou l'interrupteur on/off (2).

2) MODE AUTONOME DE PILOTAGE DE MUSIQUE:

- Mettez l'interrupteur auto/musique (4) sur "musique".
- Allumez l'appareil avec l'interrupteur d'allumage (1) et/ou l'interrupteur on/off (2).
- Mettez de la musique rythmée au niveau sonore désiré.
- Tournez le potentiomètre de la sensibilité de la musique jusqu'à ce que le faisceau suive agréablement le rythme de la musique.

MAINTENANCE

- Assurez-vous que la zone au-dessous du lieu d'installation ne comporte pas de personnes indésirables lors de la maintenance
- Mettez l'unité hors tension, débranchez le cordon d'alimentation et attendez que l'appareil ait refroidi.

Pendant l'inspection, les points suivants doivent être vérifiés :

- Toutes les vis utilisées pour l'installation de l'appareil ou de chacune de ses pièces doivent être bien fixées et non corrodées.
- Les niches, fixations et structures de support (plafond, poutres, suspensions) doivent être totalement intactes, sans aucune déformation.
- Lorsqu'une lentille optique est visiblement endommagée (fissure ou éraflures profondes), elle doit être remplacée.
- Les câbles doivent être en parfaite condition et doivent être remplacés immédiatement en cas de détection d'un problème, même bénin.
- Pour protéger l'appareil de toute surchauffe, les ventilateurs (si applicable) et les ouvertures de ventilation doivent être nettoyées mensuellement.
- L'intérieur de l'appareil doit être nettoyé annuellement à l'aide d'un aspirateur ou jet d'air.
- Le nettoyage des lentilles optiques internes et externes et/ou des miroirs doit être effectué périodiquement pour optimiser la production de lumière. La fréquence de nettoyage dépend de l'environnement dans lequel l'appareil fonctionne: des environnements humides, enfumés ou particulièrement sales peuvent entraîner une accumulation de saleté plus importantes sur les optiques de l'appareil.
 - Nettoyez à l'aide d'un chiffon doux avec des produits de nettoyage pour verres normaux.
 - Séchez toujours les parties soigneusement.
 - Nettoyez les optiques externes ou moins une fois tous les 30 jours.
 - Nettoyez les optiques internes ou moins une fois tous les 90 jours.

Attention: Nous vous recommandons fortement de faire exécuter le nettoyage interne par du personnel qualifié !

SPECIFICATIONS

Alimentation:	AC 230V, 50Hz
Consommation :	12 W
Fusible:	250V 1.5A lente (20mm verre)
Contrôle de son:	Microphone interne
Puissance du Laser:	CW Laser 30mW Vert ($\lambda = 532\text{nm}$)
Laser Classe:	3B
Norme de sécurité Laser:	EN60825-1:1994 + A1:2002 + A2:2002
Taille:	24,6 x 14,5 x 8,6cm
Poids:	2.7kg

Chacune de ces informations peut être modifiée sans avertissement préalable
 Vous pouvez télécharger la dernière version de ce mode d'emploi sur notre site Web:
www.beglec.com

GEBRUIKSAANWIJZING

Hartelijk dank voor de aankoop van dit JB Systems® product. Om ten volle te kunnen profiteren van alle mogelijkheden en voor uw eigen veiligheid, gelieve de aanwijzingen zeer zorgvuldig te lezen voor U begint het apparaat te gebruiken.

KARAKTERISTIEKEN

In dit apparaat is radio-interferentie onderdrukt. Dit product voldoet aan de gangbare Europese en nationale voorschriften. Het is vastgesteld dat het apparaat er zich aan houdt en de desbetreffende verklaringen en documenten zijn door de fabrikant afgegeven.

- Het toestel is ontworpen om decoratieve lichteffecten te produceren en kan eventueel worden gebruikt in lichtshows.
- Compacte maar zeer effectieve 30mW Groen klasse 3B laser
- Meer dan 100 prachtige voorgeprogrammeerde laserpatronen
- 2 werkmodi:
 - Autonoom met ingebouwde microfoon
 - Autonome automatische modus
- Voldoet aan EN/IEC 60825-1 voor Laserveiligheid
- Interlock input: wordt gebruikt om de optionele stopschakelaar aan te sluiten.

EERSTE INGEBRUIKNAME

- Controleer voor het eerste gebruik van het apparaat of het tijdens het transport beschadigd werd. Mocht er schade zijn, gebruik het dan niet, maar raadpleeg eerst uw dealer.
- **Belangrijk:** Dit apparaat verliet de fabriek in uitstekende staat en goed verpakt. Het is erg belangrijk dat de gebruiker de veiligheidsaanwijzingen en raadgevingen in deze gebruiksaanwijzing uiterst nauwkeurig volgt. Elke schade veroorzaakt door verkeerd gebruik van het apparaat valt niet onder de garantie. De dealer aanvaardt geen verantwoordelijkheid voor mankementen en problemen die komen door het veronachtzamen van deze gebruiksaanwijzing.
- Bewaar deze brochure op een veilige plaats om hem in de toekomst nogmaals te kunnen raadplegen. Indien U het apparaat verkoopt, denkt U er wel aan om de gebruiksaanwijzing bij te voegen.

Controleer de inhoud:

Controleer of de doos volgende onderdelen bevat:

- SPACE2 Laser
- 2 sleuteltjes voor de sleutelschakelaar
- Netsnoer
- Handleiding

VEILIGHEIDSVOORSCHRIFTEN:

- Om het milieu te beschermen, probeer zoveel mogelijk het verpakkingsmateriaal te recyclen.
- Stel dit apparaat niet bloot aan regen of vocht, dit om het risico op brand en elektrische schokken te voorkomen.
- Om de vorming van condensatie binnenin te voorkomen, laat het apparaat aan de omgevingstemperatuur wennen wanneer het, na het transport, naar een warm vertrek is overgebracht. Condensatie kan het toestel soms verhinderen perfect te functioneren. Het kan soms zelfs schade aan het apparaat toebrengen.
- Gebruik dit apparaat uitsluitend binnenshuis.
- Plaats geen stukken metaal en mors geen vocht binnen in het toestel om elektrische schokken of storing te vermijden. Indien een vreemd voorwerp in het apparaat geraakt, moet U het direct van het lichtnet afkoppelen.
- Plaats de installatie op een plaats met goede ventilatie, ver van brandbare materialen en/of vloeistoffen. De installatie moet op minstens 50 cm van de muren rondom geplaatst worden.
- Bedek geen enkele ventilatieopening om oververhitting te vermijden.
- Zorg dat het toestel niet in een stoffige omgeving wordt gebruikt en maak het regelmatig schoon.
- Houd het apparaat uit de buurt van kinderen.
- Dit apparaat mag niet door onervaren personen bediend worden.
- De maximum veilige omgevingstemperatuur is 40°C. Gebruik het apparaat dus niet bij hogere temperaturen.
- Verzeker er U van dat er zich onder de plaats waar het toestel wordt geïnstalleerd geen ongewenste personen bevinden tijdens het bevestigen en losmaken alsook bij het onderhoud.
- Laat het toestel ongeveer 10 minuten afkoelen alvorens de lamp te vervangen of alvorens te starten met de onderhoudsbeurt.
- Trek altijd de stekker uit wanneer het apparaat gedurende langere tijd niet wordt gebruikt of alvorens de lamp te vervangen of alvorens te beginnen met de onderhoudsbeurt.
- De elektrische installatie behoort uitsluitend uitgevoerd te worden door bevoegd personeel, volgens de in uw land geldende regels betreffende elektrische en mechanische veiligheid.
- Controleer dat de beschikbare spanning niet hoger is dan die aangegeven op de achterzijde van het toestel.
- De elektrische kabel behoort altijd in uitstekende staat te zijn. Zet het apparaat onmiddellijk af als de elektrische kabel gekneusd of beschadigd is.
- Laat de elektrische draad nooit in contact komen met andere draden.
- Volgens de veiligheidsvoorschriften moet deze installatie geaard worden.
- Sluit het apparaat niet aan op een elektronische dimmer.
- Gebruik altijd een geschikte en gekeurde veiligheidskabel bij het installeren van het toestel.
- Om elektrische schokken te voorkomen, moet U de behuizing niet openen. Afgezien van de lamp en de zekering zitten er geen onderdelen in die door de gebruiker moeten worden onderhouden.
- Repareer **nooit** een zekering en overbrug de zekeringhouder **nooit**. Vervang een beschadigde zekering **steeds** door een zekering van hetzelfde type en met dezelfde elektrische kenmerken.

- Ingeval van ernstige problemen met het bedienen van het toestel, stopt U onmiddellijk het gebruik ervan. Contacteer uw dealer voor een eventuele reparatie.
- De behuizing en de lenzen moeten vervangen worden als ze zichtbaar beschadigd zijn.
- Gebruik best de originele verpakking als het toestel vervoerd moet worden.
- Om veiligheidsredenen is het verboden om ongeautoriseerde modificaties aan het toestel aan te brengen.

Belangrijk: Kijk nooit rechtstreeks in de lichtbron. Gebruik het lichteffect niet in de tegenwoordigheid van personen die lijden aan epilepsie.

LASER SAFETY INSTRUCTIES:

- Volgens de normen EN 60825-1:1994 + A1:2002 + A2:2002 valt dit apparaat onder de klasse 3B lasers. Direct oogcontact met de laserstraal kan gevaarlijk zijn.



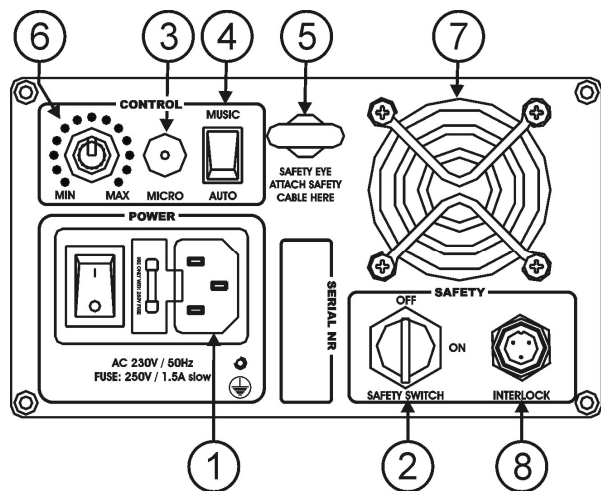
GEVAAR: LASER STRALING !
 Vermijd direct oogcontact! Laser straling kan oog en/of huid verbranding veroorzaken. Alle mogelijke maatregelen voor een veilig gebruik van dit apparaat moeten genomen worden.



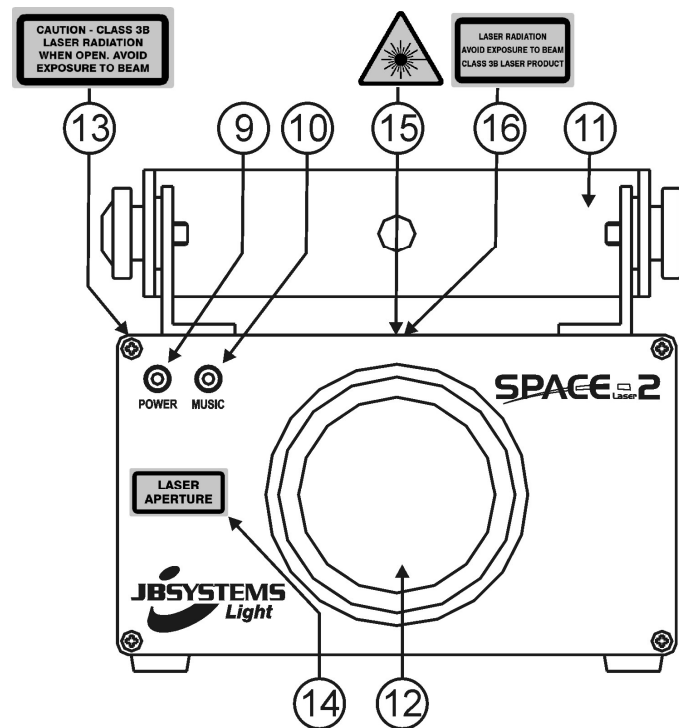
- Dit product is een zogenaamde showlaser, veroorzaakt straling met een golflengte tussen 400 en 700nm bedoeld om effecten voor lichtshows te creëren.
- Door de bouw van deze laser beweegt de laserstraal zo snel dat het oog enkel voor een erg korte tijd aan de laserstraling zal worden blootgesteld. Daarom kan het gebruik van deze laser voor lightshow toepassingen als veilig worden beschouwd.
- Richt de laserstralen nooit op mensen of dieren en laat het apparaat nooit onbemand werken.
- Deze laser mag enkel voor lightshows gebruikt worden. Het gebruik van een klasse 3B laser is enkel toegelaten als deze bediend wordt door een persoon die hiervoor opgeleid is en over de nodige ervaring beschikt.
- Afhankelijk van de laser klasse kan het gebruik van een laser straling voortbrengen die permanente oog en/of huidbeschadiging kan veroorzaken. De wettelijke voorschriften voor het gebruik van lasers kan van land tot land verschillen. De gebruiker zal zich steeds informeren over de wettelijke voorschriften die in zijn land gelden en zich hieraan strikt houden!

JB SYSTEMS kan niet verantwoordelijk gesteld worden voor ongevallen die het gevolg zijn van een verkeerde installatie en/of gebruik van dit product!

BESCHRIJVING:



1. **NETAANSLUITING:** met IEC stopcontact, netschakelaar en geïntegreerde zekeringhouder, sluit de bijgeleverde netkabel hier aan.
2. **AAN/UIT SLEUTELSCHAKELAAR:** gebruikt om het toestel aan en uit te zetten. Gebruik de sleutels, opdat de laser enkel opgezet kan worden door een bekwame persoon.
3. **INTERNE MICROFOON:** De ingebouwde microfoon wordt gebruikt om de lasershow gelijk te laten lopen met het ritme van de muziek.
4. **AUTO/MUZIEKSCHAKELAAR:** zet deze schakelaar de laser in muziekmodus (patronen bewegen mee op ritme van de beat) of automodus (patronen bewegen automatisch)
5. **VEILIGHEIDSOOG:** gebruikt om de veiligheidskabel vast te maken wanneer het toestel opgehangen wordt (zie paragraaf "hoog ophangen")
6. **MUZIEKGEVOELIGHEID:** Deze potentiometer wordt gebruikt om de muziekgevoeligheid aan te passen. Draai aan de potentiometer totdat de laser gelijkloopt met de muziek.
7. **KOELVENTILATOR:** wordt gebruikt om de onderdelen binnenin de behuizing af te koelen. Let erop dat je deze ventilatoruitgang nooit afdekt!
8. **INTERLOCK INPUT:** wordt gebruikt om de optionele stopschakelaar aan te sluiten (zie foto). Wanneer je op deze schakelaar duwt verdwijnt de straal onmiddellijk.
BELANGRIJK ! In het belang van eigen veiligheid raden we ten sterkste aan om deze optionele schakelaar aan te sluiten !



9. **POWER LED:** geeft aan dat het toestel aan staat.
10. **GELUIDSLED:** flikkert op het geluid van de muziek die opgevangen wordt door de interne microfoon.
11. **OPHANGBEUGEL:** met 2 knoppen langs weerskanten om het toestel vast te maken en een gat om een bevestigingshaak aan vast te maken.
12. **LASERUITGANG:** Hier verlaat de laserstraal de behuizing; kijk NOOIT binnenin het toestel doorheen deze opening als het lasereffect aan staat!
13. **WAARSCHUWINGSLABEL:** "Waarschuwing – Klasse 3B laser. Laserstraling bij opening. Vermijd blootstelling aan straal."
14. **WAARSCHUWINGSLABEL:** "Laseropening"
15. **LASER WAARSCHUWINGSTEKEN:** waarschuwt voor een potentieel gevaarlijke laser als het niet gebruikt wordt door bekwame personen.
16. **WAARSCHUWINGSLABEL:** "Laserstraling. Vermijd blootstelling aan straal. Klasse 3B laserproduct"

OPHANGEN VAN HET APPARAAT

- **Belangrijk:** De installatie van het toestel mag uitsluitend door bekwaam onderhoudspersoneel uitgevoerd worden. Onjuiste plaatsing kan ernstige letsels en/of schade aan eigendommen tot gevolg hebben. Het ophangen vergt veel ervaring. U behoort de grenzen te respecteren aan de werklust; erkende installeringmaterialen moeten worden gebruikt; de veiligheid van het geïnstalleerde toestel moet regelmatig worden gecontroleerd.
- Overtuig U ervan dat het gebied onder installatieplaats vrij is van ongewenste personen tijdens het plaatsen, het weghalen en het onderhoud.
- Installeer het toestel op een goed geventileerde plaats, ver van brandbare stoffen en/of vloeistoffen. Het toestel moet worden bevestigd op **minstens 50 cm** van de omringende muren.
- Het toestel moet worden geïnstalleerd buiten het bereik van iedereen en weg van plaatsen waar men mag lopen en zitten.
- Alvorens tot plaatsen over te gaan, moet men controleren dat de minimum puntbelasting van de installatieplaats 10 keer het gewicht van het toestel bedraagt.
- Gebruik bij het installeren van het toestel altijd een gewaarmerkte veiligheidskabel die 12 keer het gewicht van het toestel kan dragen. Deze bijkomende veiligheidsbevestiging moet zo worden aangebracht dat geen deel van het toestel meer dan 20 cm vallen kan als de hoofdbeveiliging faalt.
- Het apparaat moet goed worden vastgezet; aan een vrij zwaaiende montering mag zelfs niet gedacht worden.
- Bedek geen ventilatieopeningen, anders zou dit oververhitting tot gevolg kunnen hebben.
- De gebruiker moet er zich van verzekeren dat de installaties met betrekking tot de veiligheid en de technische mechaniek door een expert zijn goedgekeurd alvorens ze voor de eerste keer te gebruiken. Elk jaar moeten de installaties worden gekeurd door een vakman om te controleren of de veiligheid nog steeds perfect is.



GEVAAR VOOR OOGLETSELS: bij de installatie er altijd voor zorgen dat het publiek nooit rechtstreeks in de laserstralen kan kijken. Bij de installatie moet men ervoor zorgen dat de laserstralen niet rechtstreeks op het publiek gericht worden.

OPSTELLEN EN BEDIENEN

- Regelmatige pauzes bij het bedienen zijn noodzakelijk om het apparaat zo lang mogelijk te laten functioneren, daar het niet bedoeld is om onafgebroken te functioneren.
- Zet het toestel niet aan en uit met korte tussenpozen omdat de lamp het anders eerder begeeft.
- Trek altijd de stekker uit het stopcontact als het apparaat langere tijd geen dienst doet.
- Stop, in geval van serieuze bedieningsproblemen, met het gebruiken van het apparaat en stel U onmiddellijk in verbinding met uw dealer.
- **Belangrijk:** Kijk nooit rechtstreeks in de laserstraal. Gebruik het effect nooit in de aanwezigheid van mensen die aan epilepsie lijden.

U kunt dit toestel op 2 manieren gebruiken:

1) AUTOMATISCHE AUTONOME MODUS:

- Zet schakelaar van auto/muziekschakelaar (4) in "auto" positie.
- Schakel het toestel aan met de netschakelaar (1) en/of de sleutelschakelaar (2)

2) AUTONOME MODUS BEHEERD DOOR MUZIEK:

- Zet schakelaar van auto/muziekschakelaar (4) in "muziek" positie.
- Schakel het toestel aan met de netschakelaar (1) en/of de sleutelschakelaar (2)
- Speel wat ritmische muziek op het gewenste niveau.
- Draai aan de muziekgevoeligheidspotentiometer totdat de laserstraal mooi de beat van de muziek volgt.

ONDERHOUD

- Overtuig U ervan dat het gebied onder de installatieplaats vrij is van ongewenste personen tijdens het onderhoud.
- Zet het toestel uit, trek de netstekker uit het stopcontact en wacht tot het toestel is afgekoeld.

Bij inspectie moeten de volgende punten worden gecontroleerd.

- Alle schroeven gebruikt om het te toestel te installeren en al zijn onderdelen moeten goed vastgedraaid zijn en mogen niet verroest zijn.
- Behuizingen, vastzetstukken, installeringplaatsen (plafond, spanten, schokbrekers) mogen absoluut niet verwrongen zijn.
- Wanneer een optische lens klaarblijkelijk beschadigd is door barsten of diepe krassen, dan moet deze vervangen worden.
- De stroomkabels moeten in perfecte staat zijn en behoren vervangen te worden, wanneer er zelfs maar een klein probleem ontdekt werd.
- Om het toestel tegen oververhitting te beschermen, behoren de ventilatoren (als die er zijn) en de ventilatieopeningen elke maand gereinigd te worden.
- De binnenkant van het toestel behoort elk jaar gereinigd te worden met een stofzuiger of een luchtspuit.
- Het schoonmaken van inwendige en uitwendige optische lenzen en/of spiegels moet regelmatig worden uitgevoerd om een zo goed mogelijke lichtuitstraling te verkrijgen. Hoe vaak ze schoon moeten worden gemaakt hangt af van de omgeving waar het toestel wordt gebruikt: een klamme, rokerige of bijzonder vuile omgeving kan een grotere opeenhoping van vuil veroorzaken op de optische uitrusting.
 - Reinig met een zachte doek en gebruik normale glasreinigende producten.
 - Droog de onderdelen altijd zorgvuldig af,
 - Reinig de uitwendige optische uitrusting minstens één keer per maand.
 - Reinig de inwendige optische uitrusting minstens om de 3 maanden.

Let op: We bevelen sterk aan dat het schoonmaken van de binnenkant wordt uitgevoerd door vakbekwaam personeel!!

TECHNISCHE KENMERKEN

Netvoeding:	wisselstroom 230V, 50 Hz
Verbruik :	12 W
Zekering:	250 V/ 1,5A trage zekering (20 mm)
Geluidscontrole:	Inwendige microfoon
Laser vermogen:	30mW groene CW laser ($\lambda = 532\text{nm}$)
Laser klasse:	3B
Laser Safety Standaard:	EN60825-1:1994 + A1:2002 + A2:2002
Afmetingen:	24,6 x 14,5 x 8,6cm
Gewicht:	2,7 kg

Elke inlichting kan veranderen zonder waarschuwing vooraf

U kan de laatste versie van deze handleiding downloaden via onze website: www.beglec.com

BEDIENUNGSANLEITUNG

Vielen Dank, dass Sie sich für den Erwerb dieses JBSystems®-Produkt entschieden haben. Bitte lesen sie diese Bedienungsanleitung sorgfältig vor der Inbetriebnahme durch, zur vollen Ausschöpfung der Möglichkeiten, die dieses Gerät bietet sowie, zu Ihrer eigenen Sicherheit.

EIGENSCHAFTEN

Das Gerät ist funktentstört und erfüllt die Anforderungen der europäischen und nationalen Bestimmungen. Entsprechende Dokumentation liegt beim Hersteller vor.

- Das Gerät ist zur Erzeugung von dekorativem Licht sowie der Benutzung in Lightshows bestimmt.
- Kompakter, aber sehr wirkungsvoller grüner 30mW-Laser
- Mehr als 100 großartige, vorprogrammierte Lasermuster
- Zwei Einsatzmöglichkeiten:
 - Alleinstehend mit eingebautem Mikrofon
 - Alleinstehend im automatischem Modus
- Entspricht EN/IEC 60825-1 Norm für Lasersicherheit
- Interlock eingang um den optional erhältlichen Notausschalter zu verbinden

VOR DER ERSTBENUTZUNG

- Vor der Erstbenutzung bitte das Gerät zuerst auf Transportschäden überprüfen. Sollte das Gerät einen Schaden aufweisen, Gerät bitte nicht benutzen, sondern unverzüglich mit ihrem Händler in Verbindung setzen.
- **Wichtiger Hinweis:** Das Gerät hat das Werk unbeschädigt und gut verpackt verlassen. Es ist wichtig, dass der Benutzer sich streng an die Sicherheitshinweise und Warnungen in der Bedienungsanleitung hält. Schäden durch unsachgemäße Handhabung sind von der Garantie ausgeschlossen. Der Händler übernimmt keine Verantwortung für Schäden, die durch Nichtbeachtung der Bedienungsanleitung hervorgerufen wurden.
- Die Bedienungsanleitung, für zukünftiges Nachschlagen, bitte aufbewahren. Bei Verkauf oder sonstiger Weitergabe des Gerätes, bitte Bedienungsanleitung beifügen.

Packungsinhalt prüfen:

Bitte überprüfen Sie, dass die Packung folgende Einzelteile enthält:

- SPACE2 Laser Gerät
- 2 Schlüssel für der Schlüsselschalter
- Netzkabel
- Bedienungsanleitung

SICHERHEITSHINWEISE

- Aus Umweltschutzgründen, Verpackung bitte wiederverwenden, oder richtig trennen.
- Zur Vermeidung von Stromschlag oder Feuer, Gerät bitte nicht Regen oder Feuchtigkeit aussetzen.
- Zur Vermeidung von Kondensation im Inneren des Geräts, bitte nach Transport in eine warme Umgebung einige Zeit zum Temperatenausgleich bringen. Kondensation kann zu Leistungsverlust des Gerätes oder gar Beschädigung führen.
- Gerät nicht im Freien und in feuchten Räumen und Umgebungen verwenden.
- Keine Metallgegenstände oder Flüssigkeiten ins Innere des Geräts gelangen lassen, Kurzschluß oder Fehlfunktion können die Folge sein. Falls es doch einmal vorkommen sollte, bitte sofort Netzstecker ziehen und vom Stromkreis trennen.
- Gerät nur in gut belüfteter Position und entfernt von entflammaren Materialien oder Flüssigkeiten betreiben. Mindestabstand an allen Seiten soll mindestens 50 cm sein.
- Ventilationsöffnungen nicht abdecken, da Überhitzungsgefahr!
- Nicht in staubiger Umgebung verwenden und regelmäßig reinigen.
- Für Kinder unerreichbar aufbewahren.
- Unerfahrene Personen sollen das Gerät nicht bedienen.
- Umgebungstemperatur darf 40°C nicht überschreiten.
- Sicherstellen, daß sich während des Auf- und Abbaus keine unbefugten Personen unterhalb des Geräts befinden.
- Vor dem Auswechseln des Leuchtmittels oder sonstigen Eingriffen, 10 Minuten Abkühlzeit einhalten.
- Stets Netzstecker ziehen, wenn Gerät für längeren Zeitraum nicht genutzt, oder es gewartet wird.
- Elektrische Anschlüsse nur durch qualifiziertes Fachpersonal überprüfen lassen.
- Sicherstellen, daß Netzspannung mit Geräteaufkleber übereinstimmt.
- Gerät nicht mit beschädigtem Netzkabel betreiben.
- Netzkabel nicht mit anderen Kabeln in Berührung kommen lassen!
- Zur Einhaltung der Sicherheitsbestimmungen muß das Gerät geerdet sein.
- Gerät nicht an einen Dimmer anschließen.
- Ausschließlich vorschriftsmäßige Kabel zur Installation verwenden.
- Gerät nicht öffnen. Abgesehen vom Tausch des Leuchtmittels und der Sicherung sind keine zu wartenden Bauteile im Gerät enthalten.
- Sicherung niemals reparieren oder überbrücken, sondern immer mit gleichartiger Sicherung ersetzen!
- Bei Fehlfunktion, Gerät nicht benutzen und mit Händler in Verbindung setzen.
- Bei sichtbaren Beschädigungen müssen Gehäuse und Optik ersetzt werden.
- Bei Transport bitte Originalverpackung verwenden, um Schäden am Gerät zu vermeiden.
- Aus Sicherheitsgründen dürfen an dem Gerät keine unbefugten Veränderungen vorgenommen werden.

Wichtiger Hinweis: Nicht direkt in die Lichtquelle blicken! Gerät nicht verwenden, wenn sich Personen im Raum befinden, die unter Epilepsie leiden.

LASER SICHERHEITS HINWEISE:

- Nach der Klassifizierung auf Grundlage der Sicherheitsnorm EN 60825-1:1994 + A1:2002 + A2:2002 fällt dieser Laser unter die Laserklasse 3B. Bei Lasern dieser Klasse kann ein direkter Blick in den Strahl gefährlich sein.



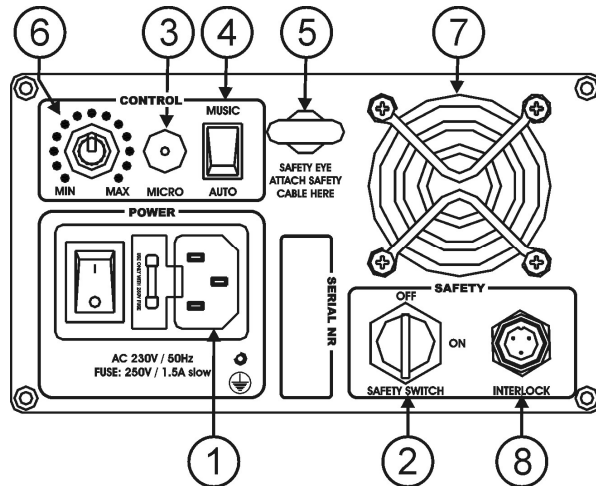
GEFAHR DURCH LASERSTRAHLUNG!
 Direkte Bestrahlung der Augen vermeiden!
 Laserstrahlung kann zu Augen- und/oder Hautverletzungen führen.
 Alle Schutzmaßnahmen für den sicheren Betrieb dieses Lasers
 müssen unbedingt eingehalten werden!



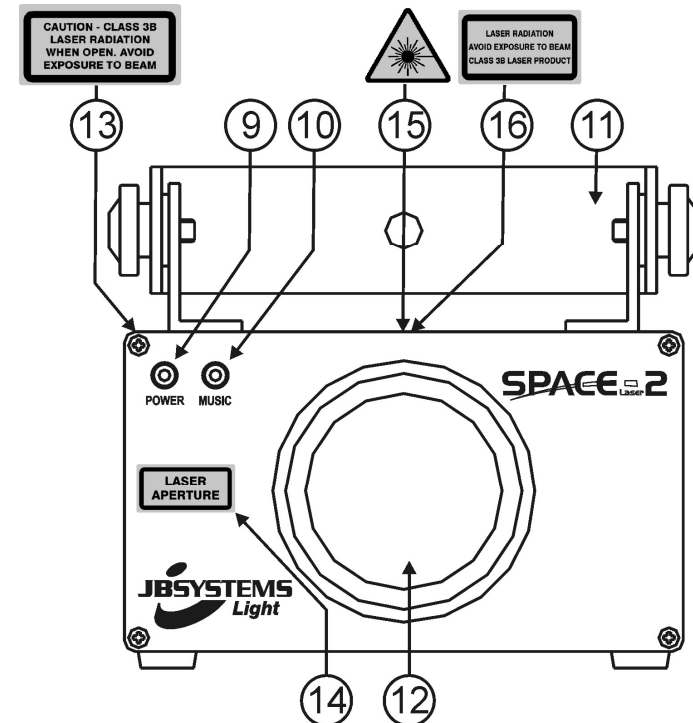
- Beim vorliegenden Produkt handelt es sich um einen betriebsfertigen Showlaser, dessen sichtbare Strahlung im Wellenlängenbereich von 400 bis 700 nm liegt, und der Lichteffekte für Unterhaltung etc. erzeugt.
- Durch die Bauweise des vorliegenden Lasers wird der Strahl so schnell bewegt, dass er das Auge nur sehr kurzzeitig treffen kann. Dadurch gilt der Einsatz dieses Lasers für die Laser-Light-Show laut BG-Merkblatt "Discolaser" als ungefährlich.
- Laserstrahl niemals auf Personen oder Tiere ausrichten.
- Das Gerät darf niemals unbeaufsichtigt betrieben werden!
- Dieser Laser darf nur für Vorführzwecke eingesetzt werden. Der Betrieb eines Showlaser der Klasse 3B ist nur dann zugelassen, wenn der Laserbetrieb von einem erfahrenen und gut ausgebildeten Bediener gesteuert und überwacht wird.
- Beim Betreiben einer Laser-Einrichtung lässt sich je nach Laserklassifizierung eine Laserstrahlung erzeugen, die zu irreparablen Augen- und/oder Hautschäden führen kann. Die Sicherheitshinweise für den Gebrauch von Laser Produkten können von Land zu Land verschieden sein. Der Benutzer muss sich selbst über die Sicherheitshinweise in seinem Land informieren.

JB SYSTEMS haftet nicht für Schäden, die durch unsachgemäße Installation und nicht bestimmungsgemäßen Betrieb verursacht werden!

BESCHREIBUNG



1. **NETZANSCHLUSS:** Mit Hilfe des IEC Steckers, Netzschalter und eingebauter Sicherung, verbinden sie hier den Netzstecker.
2. **AN/AUS SCHALTER:** Wird verwendet um das Gerät an bzw. aus zu schalten. Verwenden sie die Schlüssel um sicherzustellen das nur gewünschte Personen das Gerät einschalten.
3. **EINGEBAUTES MIKROFON:** Das eingebaute Mikrofon wird verwendet um die Lasershow an den Rhythmus der Musik anzupassen.
4. **AUTO/MUSIK SCHALTER:** dieser Schalter schaltet das Gerät in den Musik Modus (Muster bewegen sich entsprechend der Musik) oder automatischen Modus (Muster bewegen sich automatisch)
5. **SICHERHEITSAUGE:** Wird verwendet um ein Sicherheitskabel anzuschliessen wenn das Gerät Überkopf angeschlossen wurde (Siehe "Überkopf Montage").
6. **EINGANGSSENSIBILITÄT:** Dieses Potentiometer wird verwendet um die Sensibilität der Eingangsmusik festzulegen. Stellen sie das Potentiometer ein bis der Laser mit der Musik synchron ist.
7. **LÜFTUNG:** Wird verwendet um das Gerät kalt zu halten. Stellen sie sicher das die Lüftungslöcher nie verdeckt sind!
8. **INTERLOCK EINGANG:** wird verwendet, um den optional erhältlichen Notausschalter zu verbinden (siehe Bild). Wenn Sie diesen Schalter drücken, wird der Laserstrahl sofort ausgeschaltet.
Wichtig! Für Ihre eigene Sicherheit empfehlen wir nachdrücklich, diesen Notausschalter anzuschließen!



9. **POWER LED:** Zeigt an das das Gerät eingeschaltet ist.
10. **SOUND LED:** Flakert entsprechend des Mikrofonsignals wenn Musik gespielt wird.
11. **HALTER:** Mit zwei Schrauben auf jeder Seite und einem Montierloch um das Gerät in einer Montagevorrichtung zu bringen.
12. **LASER AUSGANG:** Hier verläßt der Laser das Gerät, stellen sie sicher das sie NIEMALS in dieses Loch schauen!
13. **WARNUNG:** "Achtung – Laser der Klasse 3B. Laserstrahlung wenn geöffnet. Vermeiden sie dem Laserstrahl ausgesetzt zu sein."
14. **WARNUNG:** "Laserapertur"
15. **LASER WARNUNGSHINWEIS:** Warnt vor einem potentiell gefährlichem Laser wenn das Gerät von einem nicht geschulten Operator verwendet wird.
16. **WARNUNG:** "Laserstrahlung. Vermeiden sie dem Laserstrahl ausgesetzt zu sein. Laser der Klasse 3B."

ÜBERKOPF-MONTAGE

- **Wichtig:** Montage ausschließlich durch qualifiziertes Fachpersonal durchführen lassen. Unvorschriftsmäßiger Einbau kann erhebliche Verletzungen und/oder Schäden verursachen. Überkopf-Montage verlangt entsprechende Erfahrung! Belastungsgrenzen müssen beachtet werden, geeignetes Installationsmaterial muß verwendet werden und das installierte Gerät muß in regelmäßigen Abständen überprüft werden.

- Sicherstellen, dass sich keine unbefugten Personen unterhalb des Geräts befinden, während es installiert oder gewartet wird.
- Gerät in gut belüfteter Position installieren, weit entfernt von entflammaren Materialien und/oder Flüssigkeiten. Einen Seitenabstand von **mindestens 50cm** einhalten.
- Gerät außerhalb der Reichweite von Personen, und nicht in niedrigen Durchgängen oder in der Nähe von Sitzgelegenheiten installieren.
- Vor Montage sicherstellen, dass die gewählte Position wenigstens das 10-fache Gerätegewicht aufnehmen kann.
- Zur Aufhängung stets geeignetes Befestigungsmaterial verwenden, das das 12-fache Gerätegewicht aushalten kann. Eine zweite Sicherungsaufhängung muß angebracht werden, die ein Absacken des Geräts von mehr als 20 cm verhindert, sollte die Befestigung brechen.
- Gerät gut befestigen. Eine freischwingende Aufhängung ist gefährlich und sollte auf gar keinen Fall in Betracht gezogen werden!
- Ventilationsöffnungen nicht abdecken, da Überhitzungsgefahr!
- Betreiber muß sicherstellen, dass die sicherheitsrelevanten und technischen Installationen vor Erstbetrieb fachmännisch vorgenommen worden sind.
- Installationen sollten jährlich durch qualifiziertes Fachpersonal inspiziert werden, um jederzeit einen sicheren Betrieb zu gewährleisten.



ACHTUNG AUGENSCHADEN: Positionieren Sie den Laser immer so, das niemand direkt in den Laserstrahl blicken kann. Die Installation ist so zu wählen das der Laser Strahl nicht direkt ins Publikum strahlt !

EINSTELLEN & BEDIENUNG DES GERÄTS

- Regelmäßige Betriebspausen sind für eine lange Lebenserwartung des Geräts notwendig. Es ist nicht für den Dauerbetrieb ausgelegt.
- Gerät nicht in kurzen Abständen ein- und ausschalten, da es die Lebensdauer des Leuchtmittels verkürzt.
- Stets Netzstecker ziehen, wenn Gerät für längeren Zeitraum nicht genutzt.
- Bei Fehlfunktion Gerät nicht benutzen und umgehend mit ihrem Händler in Verbindung setzen.
- **Wichtiger Hinweis:** Nicht direkt in die Lichtquelle blicken! Gerät nicht verwenden, wenn sich Personen im Raum befinden, die unter Epilepsie leiden.

Sie können das Gerät auf 2verschiedene Weisen bedienen:

1) AUTOMATISCHER ALLEINSTEHENDER MODUS:

- Stellen sie den Auto/Musik Schalter (4) in die "auto" Position.
- Schalten sie das Gerät mit dem Schlüssel (2) und/oder AN/AUS Schalter (1) ein.

2) MUSIK KONTROLLIERTER ALLEINSTEHENDER MODUS:

- Stellen sie den Auto/Musik Schalter (4) in die "music" Position.
- Schalten sie das Gerät mit dem Schlüssel (2) und/oder AN/AUS Schalter (1) ein.
- Spielen sie rhythmische Musik in der gewünschten Lautstärke.
- Drehen sie die Sensibilität des Potentiometers bis der Laserstrahl dem Musikmuster folgt.

WARTUNG UND INSTANDHALTUNG

- Sicherstellen, dass sich keine unbefugten Personen unterhalb des Geräts befinden, während es gewartet wird.
- Gerät ausschalten, Netzstecker ziehen und warten, bis es sich abgekühlt hat.
- **Während der Wartung sind folgende Punkte ganz besonders zu beachten:**
- Sämtliche Schrauben zur Installation und Befestigung jeglicher Teile müssen fest angezogen und rostfrei sein.
- Gehäuse, Befestigungsmaterialien und Aufhängungen (Decke, Balken, abgehängte Decken) dürfen keine Anzeichen von Verformung zeigen.
- Ist die Optik sichtbar beschädigt (Sprünge oder tiefe Kratzer), dann müssen die entsprechenden Teile ausgewechselt werden.
- Netzkabel muß stets in einwandfreiem Zustand sein und selbst bei kleinsten Beschädigungen erneuert werden.
- Zur Vermeidung von Überhitzung müssen die Ventilatoren (sofern vorhanden) und Lüftungsschlitze monatlich gereinigt werden.
- Gerät innen mindestens einmal pro Jahr mit Staubsauger oder Airjet reinigen.
- Reinigung der inneren und äußeren optischen Linsen und/oder Spiegel müssen in regelmäßigen Abständen zur Beibehaltung einer optimalen Lichtausbeute vorgenommen werden. Reinigungsintervalle hängen stark von der Umgebung ab: feuchte, verrauchte und besonders verschmutzte Umgebung führen zu größerer Verschmutzung auf den Linsen.
 - Mit weichem Tuch und gewöhnlichem Glasreiniger säubern.
 - Alle Teile stets gut abtrocknen.
 - Äußere Optik mindestens alle 30 Tage säubern.
 - Innere Optik mindestens alle 90 Tage säubern.

Achtung: Wir empfehlen dringend, Reinigung im Innern des Geräts nur von qualifiziertem Personal durchführen zu lassen!

TECHNISCHE EINZELHEITEN

Netzspannung:	≈ 230V, 50Hz
Verbrauch :	12 W
Sicherung:	250V / 1,5A langsame Sicherung (20mm Glas)
Klangregler:	Eingebautes Mikrofon
Laser Leistung:	30mW Grün CW Laser (Wellenlänge = 532nm)
Scanner Geschwindigkeit:	43,776mS "Continuous Scanning Technology"
Laser Klasse:	3B
Laser Sicherhiets Standard:	EN60825-1:1994 + A1:2002 + A2:2002
Abmessungen:	24,5 x 14,5 x 8,6cm
Gewicht:	2,7kg

Technische Änderungen, können auch ohne Vorankündigung vorgenommen werden!
Sie können die aktuellste Version dieser Bedienungsanleitung von unserer Internetseite runterladen:
www.beglec.com

MANUAL DE INSTRUCCIONES

Gracias por la compra de este producto JB Systems®. Para sacar todo el rendimiento de las posibilidades de este aparato y por su propia seguridad, por favor lea este manual de instrucciones con mucho cuidado antes de utilizar esta unidad.

CARACTERÍSTICAS

Esta unidad no interfiere con señales de radio. Este producto cumple las exigencias de las directrices actuales Europeas y nacionales. Se ha establecido conformidad y las declaraciones y documentos relevantes se han depositado por el fabricante.

- Este aparato ha sido diseñado para producir efecto de iluminación decorativa y se usa en sistemas de iluminación de espectáculos.
- Láser verde de 30mW compacto pero muy efectivo
- Más de 100 increíbles patrones preprogramados
- Dos modos de funcionamiento:
 - Independiente con micrófono incorporado
 - Independiente en modo automático
- Cumple con EN/IEC 60825-1 en seguridad láser
- Dispositivo de seguridad : previsto como interruptor de paro opcional de emergencia

ANTES DEL USO

- Antes de utilizar esta unidad, por favor compruebe que no hay daños causados por el transporte. En caso contrario, no utilice este aparato y consulte a su vendedor.
- **Importante:** Este aparato salió de la empresa en perfecto estado y bien empaquetado. Es absolutamente necesario por parte del usuario seguir estrictamente las instrucciones de seguridad y advertencias de este manual. Cualquier daño causado por manejo inadecuado no estará sujeto a la garantía. El vendedor no aceptará responsabilidad por ningunos defectos o problemas que resulten de ignorar este manual del usuario.
- Mantenga este folleto en un lugar seguro para consultas futuras. Si vende esta instalación, asegúrese de añadir este manual de usuario.
- Para proteger el medio ambiente, por favor intente reciclar el material de empaquetado tanto como sea posible.

Compruebe el contenido:

Compruebe que la caja contiene los siguientes ítems:

- Unidad SPACE2
- 2 llaves (por el interruptor con llave)
- Cable de Alimentación
- Instrucciones de manejo

INSTRUCCIONES DE SEGURIDAD:

- Afín de evitar todo riesgo de incendio o electrocución, no exponer el aparato a la lluvia o ambiente humedo.
- Para evitar fuego o riesgos de descargas no exponga este aparato a la lluvia o humedad.
- Para evitar que se forme condensación en el interior, permita que la unidad se adapte a las temperaturas circundantes cuando la lleve a una habitación cálida después de transporte. Condensación algunas veces impide que la unidad funcione a rendimiento pleno o puede incluso causar daños.
- Esta unidad es sólo para uso interior.
- No coloque objetos metálicos o derrame líquidos dentro de la unidad. Podría resultar descarga eléctrica o mal funcionamiento. Si un objeto extraño entrara en la unidad, desconecte inmediatamente la fuente de alimentación.
- Coloque la instalación en un lugar bien ventilado, alejado de cualquier material inflamable y/o líquidos. La instalación debe ser fijada al menos a 50 cm. de distancia de los muros circundantes.
- No cubra ninguna apertura de ventilación ya que esto podría resultar en sobrecalentamiento.
- Evite su uso en ambientes polvorientos y limpie la unidad regularmente.
- Mantenga la unidad alejada de los niños.
- Personas sin experiencia no deberían manejar este aparato.
- La temperatura máxima de ambiente es 40°C. No use esta unidad a temperaturas más elevadas.
- Asegúrese de que el área por debajo del sitio de instalación está libre de personas ajenas durante el montaje, desmontaje y reparación.
- Deje al aparato enfriarse por unos 10 minutos antes de cambiar la bombilla o empezar su reparación.
- Siempre desenchufe la unidad cuando no la use por un periodo de tiempo largo o antes de cambiar la bombilla o comenzar una reparación.
- La instalación eléctrica debería ser llevada a cabo sólo por personal cualificado, acorde a las regulaciones para seguridad eléctrica y mecánica de su país.
- Compruebe que el voltaje disponible no es superior al que aparece en el panel trasero de la unidad.
- El cable de alimentación debería estar siempre en perfectas condiciones: apague la unidad inmediatamente cuando el cable de alimentación esté roto o dañado.
- ¡Nunca deje el cable de alimentación entrar en contacto con otros cables!
- Esta instalación debe ser conectada a tierra para cumplir con las regulaciones de seguridad.
- No conecte la unidad a ningún paquete de reducción de luz.
- Siempre use un cable de seguridad apropiado y certificado cuando instale la unidad.
- Para prevenir descargas eléctricas, no abra la tapa. Aparte de la lámpara y fusibles principales no hay partes que puedan ser reparadas por el usuario en su interior.
- **Nunca** repare un fusible o haga un bypass al fusible. ¡Siempre sustituya el fusible dañado por un fusible del mismo tipo y especificaciones eléctricas!
- En el caso de problemas serios de manejo, deje de usar la instalación y contacte con su vendedor inmediatamente.
- La carcasa y las lentes deben ser cambiadas si hay daño visible.
- Por favor, use el empaquetado original cuando el aparato deba ser transportado.

- Debido a motivos de seguridad está prohibido hacer modificaciones sin autorizar a la unidad.

Importante: ¡Nunca mire directamente a la fuente de luz! No use el efecto en presencia de personas que sufran de epilepsia.

INSTRUCCIONES DE SEGURIDAD LÁSER:

Segun la norma EN 60825-1:1994 + A1:2002 + A2:2002, este aparato de láser corresponde a la categoría 3B. Mirar directamente en el rayo de aparatos láser de esta categoría puede ser peligroso.



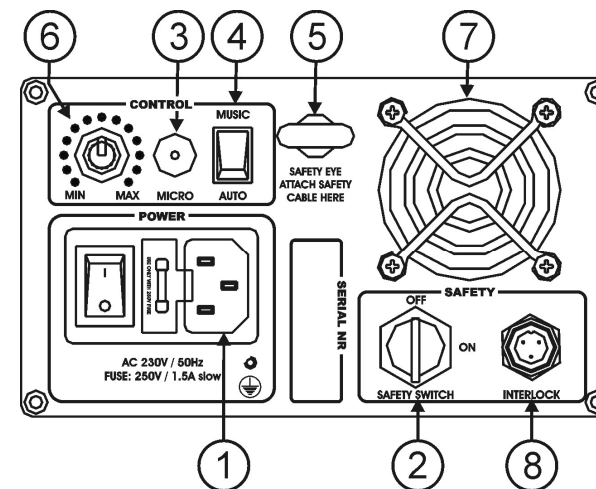
ATENCIÓN RADIACIÓN LÁSER
Evitar una irradiación directa de los ojos. Radiación láser puede causar daños de los ojos o/y de la piel. Todas las provisiones protectoras para una operación segura de este láser deben ser respetados!



- Este producto es un showlaser listo para el uso que emite radiación visible entre 400 y 700 nm y que puede ser utilizado para shows etc.
- Debido a la construcción de este láser, el rayo mueve con una velocidad tan grande que sólo puede alcanzar el ojo muy cortamente. Por eso, la utilización de este láser puede ser clasificado como no peligroso.
- Nunca orientar el rayo láser en personas u animales. Nunca operar el aparato sin observación.
- Este láser debe sólo ser utilizado para producir lasershows. Utilizar un showlaser de la categoría 3B es sólo admitido cuando la operación está controlado y observado por un operador cualificado y educado.
- Según su categoría, la utilización de un laser puede producir radiaciones que dañan definitivamente los ojos y/o la piel. Las leyes sobre el uso de un producto laser cambian de un país a otro. El usuario tiene que informarse y aplicar las legislaciones y medidas de seguridad en vigor dentro de su país.

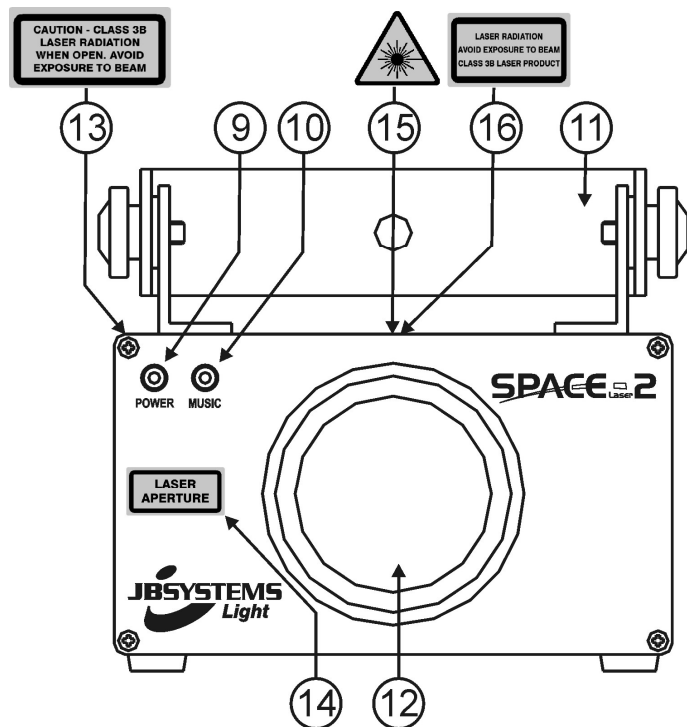
JB SYSTEMS no es responsable para daños causados por instalaciones con falta de objetividad y operación y manejo de modo diferente.

DESCRIPCION:



- 1. ENTRADA DE CORRIENTE:** con toma IEC, botón de encendido/apagado y soporte de fusible integrado, conecte aquí el cable de alimentación.
- 2. INTERRUPTOR DE LLAVE ON/OFF:** usado para encender y apagar la unidad. Use las llaves para asegurarse de que sólo un operario capacitado pueda encender el láser.
- 3. MICRÓFONO INTERNO:** El micrófono integrado se utiliza para sincronizar el espectáculo láser al ritmo de la música.
- 4. INTERRUPTOR AUTO/MUSIC:** este interruptor establece el láser en modo música (los patrones se mueven rítmicamente según la música) o modo automático (los patrones se mueven automáticamente)
- 5. OJO DE SEGURIDAD:** usado para unir un cable de seguridad cuando la unidad esté colgada (ver párrafo "aparejado superior")
- 6. SENSIBILIDAD DE ENTRADA DE MÚSICA:** Este potenciómetro se utiliza para ajustar la sensibilidad de entrada de música. Gire el potenciómetro hasta que el láser funcione sincronizado con la música.
- 7. VENTILADOR DE REFRIGERACIÓN:** se usa para enfriar los componentes dentro del chasis. Asegúrese de no tapar nunca la salida del ventilador.
- 8. DISPOSITIVO DE SEGURIDAD :** previsto como interruptor de paro opcional de emergencia (véase el cuadro). Cuando se pulsa este interruptor el rayo laser desaparecerá inmediatamente.
¡IMPORTANTE! ¡Para su propia seguridad recomendamos fuertemente conectar este interruptor opcional!





- 9. **LUZ DE ENCENDIDO:** indica que la unidad está encendida.
- 10. **LUZ DE SONIDO:** parpadea al sonido de la música detectada por el micrófono interno.
- 11. **SOPORTE PARA COLGAR:** con 2 rocas a ambos lados para fijar la unidad y un agujero de montaje para ajustar un gancho de montaje.
- 12. **SALIDA LÁSER:** El rayo láser abandona el chasis por aquí, asegúrese de no mirar NUNCA dentro de la unidad por este agujero cuando el efecto láser esté activado.
- 13. **ETIQUETA DE ADVERTENCIA:** "Precaución – Láser Clase 3R. Radiación láser cuando esté abierto. Evite la exposición al rayo."
- 14. **ETIQUETA DE ADVERTENCIA:** "Apertura láser"
- 15. **SÍMBOLO DE ADVERTENCIA DE LÁSER:** avisa acerca de un láser potencialmente peligroso cuando no es usado por operarios preparados.
- 16. **ETIQUETA DE AVISO:** "Radiación láser. Evite la exposición al láser. Producto láser clase 3B"

APAREJADO SUPERIOR

- **Importante:** La instalación debe ser llevada a cabo sólo por personal cualificado. Una instalación impropia podría resultar en serias heridas y/o daño a la propiedad. ¡El aparejado superior requiere una larga experiencia! Los límites de las cargas de trabajo deben respetarse, materiales certificados de instalación deben ser usados, el aparato instalado debería ser inspeccionado regularmente por seguridad.
- Asegúrese de que el área por debajo del sitio de instalación está libre de personas ajenas durante el montaje, desmontaje y reparación.
- Coloque la instalación en un sitio bien ventilado, lejos de cualquier material inflamable y/o líquidos. La instalación debe ser fijada **al menos a 50cm** de los muros circundantes.
- El aparato debería ser instalado fuera del alcance de la gente y fuera de áreas donde personas puedan caminar o sentarse.
- Antes del aparejado asegúrese de que el área de instalación puede soportar un mínimo punto de carga de 10 veces el peso del aparato.
- Siempre use un cable de seguridad certificado que pueda sostener 12 veces el peso del aparato. Este añadido secundario de seguridad debería ser instalado de una forma que no hubiera parte de la instalación que pudiera caer más de 20cm si el añadido principal falla.
- El aparato debe ser bien fijado, ¡un montaje que se mueva con libertad es peligroso y no debe considerarse!
- No cubra ninguna apertura de ventilación ya que esto podría resultar en sobrecalentamiento.
- El operador tiene que asegurarse de que las instalaciones relativas a seguridad, maquinaria y técnica están aprobadas por un experto antes de usarlas la primera vez. Las instalaciones deberían ser inspeccionadas cada año por una persona con conocimientos para asegurar que la seguridad es todavía óptima.



PRUDENCIA, DAÑA LOS OJOS : Colocar siempre el laser de forma que el publico no pueda mirar directamente el rayo laser. Asegurese que el rayo no « toque » al publico.

CÓMO CONFIGURAR Y USAR LA UNIDAD

- Descansos regulares durante su uso son esenciales para maximizar la vida de este aparato ya que no está diseñado para uso continuo.
- No apague o encienda la unidad en cortos periodos de tiempo ya que esto reduce la vida de la lámpara.
- Siempre desenchufe la unidad cuando no la use por un periodo de tiempo. En el caso de problemas serios de manejo, deje de usar la instalación y contacte con su vendedor inmediatamente.
- **Importante:** ¡Nunca mire directamente a la fuente de luz! No use el efecto en presencia de personas que sufran de epilepsia.

Puede usar la unidad de 2 formas:**1) MODO INDEPENDIENTE AUTOMÁTICO:**

- Ponga el interruptor auto/music (4) en la posición "auto".
- Encienda la unidad con el botón de encendido/apagado (1) y/o el interruptor on/off con llave (2).

2) MODO CONTROLADO POR MÚSICA INDEPENDIENTE:

- Ponga el interruptor auto/music (4) en la posición "music".
- Encienda la unidad con el botón de encendido/apagado (1) y/o el interruptor on/off con llave (2).
- Ponga música rítmica al volumen deseado.
- Gire el potenciómetro de sensibilidad a la música hasta que el rayo láser siga correctamente el ritmo.

MANTENIMIENTO

- Asegúrese de que el área por debajo del por debajo del sitio de instalación está libre de personas ajenas durante la reparación.
- Apague la unidad, desconecte el cable principal y espere hasta que la unidad se haya enfriado.

Durante la inspección los siguientes puntos deben ser comprobados:

- Todos los tornillos usados para la instalación del aparato y cualquiera de sus partes deben ser apretados fuertemente y no pueden estar corroídos.
- Carcasas, fijaciones y puntos de instalación (techos, armaduras, suspensiones) deberán estar totalmente libres de ninguna deformación.
- Cuando una lente óptica esté visiblemente dañada debido a golpes o rayados profundos, debe ser cambiada.
- Los cables principales deben estar en una condición impecable y deben ser cambiados de inmediato cuando incluso un pequeño problema se detecte.
- En orden de proteger al aparato de sobrecalentamiento, los ventiladores de enfriamiento (caso de haberlos) y las aperturas de ventilación deberían ser limpiados mensualmente.
- El interior del aparato debería ser limpiado anualmente usando una aspiradora o máquina de aire.
- La limpieza de lentes y/o espejos internos y externos debe ser llevada a cabo periódicamente para optimizar la salida de luz. La frecuencia de limpieza depende del ambiente en el cual la instalación está funcionando: húmedo, con humo o con alrededores particularmente sucios puede causar una mayor acumulación de polvo en las ópticas de la unidad.
 - Limpie con un trapo suave usando productos limpiadores normales de cristal.
 - Seque siempre las partes cuidadosamente.
 - Limpie las ópticas externas al menos una vez cada 30 días.
 - Limpie las ópticas internas al menos cada 90 días.

Atención: ¡Recomendamos con insistencia que la limpieza interna sea llevada a cabo por personal cualificado!

ESPECIFICACIONES

Alimentación:	AC 230V, 50Hz
Consumo:	12 W
Fusible:	250V / 2A Volado rapido (cristal de 20mm)
Control de sonido:	Micrófono Interno
Potencia del laser:	CW Laser 30mW Verde ($\lambda = 532\text{nm}$)
Clase de laser:	3B
Norma de seguridad Laser:	EN60825-1:1994 + A1:2002 + A2:2002
Tamaño:	24,6 x 14,5 x 8,6cm
Peso:	2,7kg

**Toda la información está sujeta a cambio sin previo aviso
Puede pinchar la última versión del manual en nuestro sitio internet www.beglec.com**

MANUAL DO UTILIZADOR

Obrigado por ter adquirido este produto da JB Systems®. De modo a tirar total proveito das possibilidades deste produto, por favor leia este manual com atenção.

CARACTERÍSTICAS

Esta unidade está protegida contra interferências rádio. Este produto cumpre as exigências impostas pelas presentes directivas nacionais e europeias. A conformidade deste produto foi comprovada e as declarações e documentos relevantes foram efectuados pelo fabricante.

- Esta unidade destina-se a produzir efeitos luminosos decorativos e é utilizada em sistemas de espectáculos de luz.
- Laser Verde de 30 mW reais compacto mas muito eficiente!
- Mais de 100 maravilhosos padrões laser pré programados
- 2 modos de funcionamento:
 - Funcionamento individual com microfone incorporado
 - Funcionamento individual automático
- Cumpre as normas de segurança Laser EN/IEC 60825-1
- Entrada Interlock: Usada para conectar o interruptor opcional de paragem de emergência

ANTES DE UTILIZAR

- Antes de utilizar esta unidade verifique se existem danos provocados durante o transporte. Caso existam danos, não utilize a unidade e contacte o seu revendedor.
- **Importante:** Esta unidade deixou a nossa fábrica em perfeitas condições e devidamente embalada. É imprescindível que o utilizador siga as instruções de segurança e avisos descritos neste manual. Quaisquer danos provocados por utilização incorrecta não serão cobertos pela garantia. O revendedor não será responsável por quaisquer danos ou problemas causados pelo incumprimento das instruções deste manual.
- Guarde este manual num local seguro para consulta futura. Caso venda esta unidade, forneça este manual.

Verifique o conteúdo:

Certifique-se que a caixa contém os seguintes artigos:

- Unidade SPACE2 laser
- 2 chaves (para interruptor activado por chave)
- Cabo de alimentação
- Manual do utilizador

INSTRUÇÕES DE SEGURANÇA:

- Proteja o ambiente. Recicle o material desta embalagem.

- De modo a evitar risco de fogo ou choque eléctrico, não exponha este produto a chuva ou humidade.
- De forma a evitar a formação de condensação no interior da unidade, ao transportá-la para ambiente quente aguarde algum tempo de modo a que haja uma ambientação à temperatura. A condensação poderá afectar o desempenho da unidade ou até danificá-la.
- Esta unidade destina-se unicamente a utilização em espaços fechados.
- Não introduza objectos de metal nem verta líquidos no interior do produto, correrá risco de choque eléctrico ou poderá danificar o produto. Caso algum objecto estranho entre em contacto com o interior da unidade, desligue-a de imediato da corrente.
- Coloque esta unidade num local arejado, afastado de materiais inflamáveis e/ou líquidos. Esta unidade deverá ser instalada a pelos menos 50cm de distância de paredes circundantes.
- Não cubra os orifícios de ventilação ou a unidade poderá sobreaquecer.
- Evite locais com poeiras. Limpe a unidade regularmente.
- Mantenha esta unidade fora do alcance das crianças.
- Esta unidade deverá ser operada unicamente por pessoas experientes.
- Temperatura ambiente de funcionamento máxima é de 40°C. Não utilize esta unidade a temperaturas ambientes mais elevadas.
- Certifique-se de que não irão passar pessoas sob a área de instalação da unidade durante a instalação e manutenção.
- Aguarde cerca de 10 minutos para que a unidade arrefeça antes de substituir a lâmpada ou de efectuar a manutenção.
- Desligue sempre a unidade da corrente quando não a utilizar durante longos períodos de tempo, antes de substituir a lâmpada ou de efectuar manutenção.
- A instalação eléctrica deve ser efectuada unicamente por pessoal qualificado, cumprindo os regulamentos de segurança em instalações eléctricas e mecânicas do seu país.
- Certifique-se que a voltagem a utilizar não é superior à voltagem indicada no painel traseiro da unidade.
- O cabo de alimentação deverá estar sempre em perfeitas condições: desligue a unidade e substitua imediatamente o cabo caso este apresente algum dano.
- Nunca permita que este cabo entre em contacto com outros cabos!
- Esta unidade deverá estar ligada à Terra de forma a respeitar as regras de segurança.
- Não ligue a unidade a reguladores de intensidade.
- Utilize sempre um cabo de segurança aprovado ao instalar a unidade.
- De forma a não correr risco de choque eléctrico não abra a cobertura da unidade. À excepção da lâmpada e do fusível, não existem peças que possam ser substituídas pelo utilizador.
- **Nunca** repare um fusível nem tente operar a unidade sem fusível. Substitua **sempre** um fusível danificado por outro com as mesmas características!
- Em caso de problemas sérios de funcionamento, interrompa a utilização da unidade e contacte imediatamente o seu revendedor.
- A cobertura e as lentes deverão ser substituídas caso apresentem danos visíveis.
- Caso seja necessário transportar a unidade utilize a embalagem original.
- Por motivos de segurança, são proibidas quaisquer alterações não autorizadas à unidade.

Importante: Nunca olhe directamente para a luz! Não utilize este efeito luminoso na presença de pessoas epilépticas.

INSTRUÇÕES DE SEGURANÇA LASER:

- De acordo com as normas EN 60825-1:1994 + A1:2002 + A2:2002, este laser enquadra-se na categoria 3B. A exposição directa dos olhos pode ser perigosa.



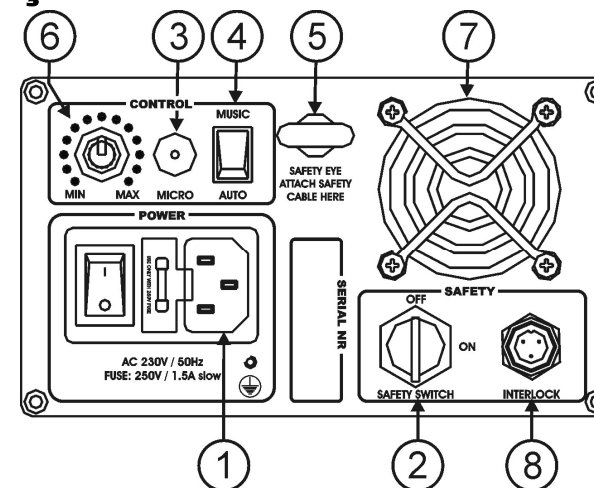
PERIGO: RADIAÇÃO LASER!

Evite exposição directa dos olhos! A radiação laser pode provocar danos nos olhos e/ou na pele. Devem ser tomadas todas as medidas preventivas para garantir o funcionamento seguro desta unidade laser.



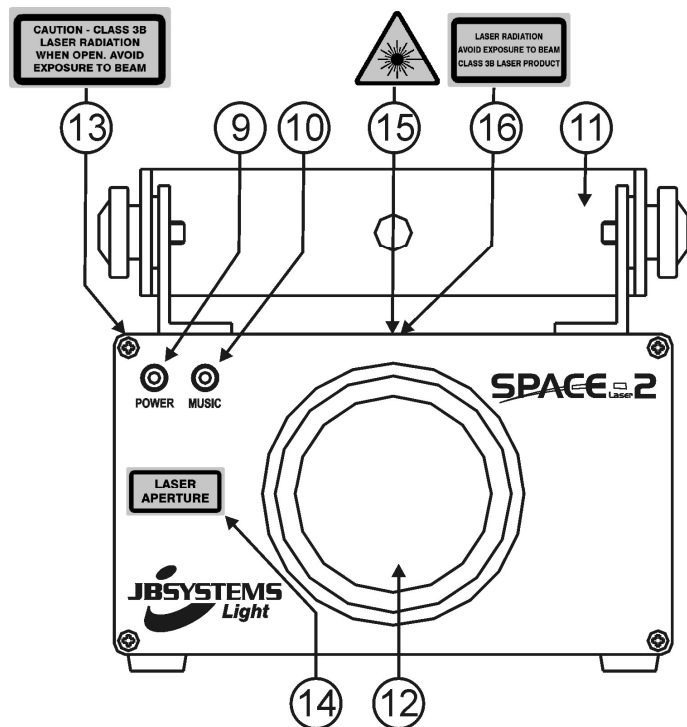
- Este tipo de produto é conhecido por showlaser, emite uma radiação do espectro luminoso compreendida entre 400 e 700nm utilizada para produzir efeitos luminosos em espectáculos de luz.
 - Esta unidade laser foi construída de forma a que o feixe se mova tão rapidamente que o contacto com os olhos seja muito breve. Por esta razão a utilização deste laser num espectáculo de laser é considerada como segura.
 - Nunca direcione o feixe para pessoas ou animais. O funcionamento desta unidade deverá ser sempre supervisionado.
 - Este laser destina-se unicamente a utilização em espectáculos. A utilização de um laser classe 3B só é permitida quando supervisionada por um técnico experiente.
 - Dependendo da categoria da unidade, operar um produto laser poderá produzir radiação laser passível de provocar danos permanentes nos olhos ou na pele. As normas legais para utilização de produtos laser variam de país para país. O utilizador deverá informar-se sobre as normas legais vigentes no seu país e aplicá-las.
- Tenha em atenção que a **JB SYSTEMS** não poderá ser responsabilizada por danos resultantes de uma instalação incorrecta ou utilização imprudente!

DESCRIÇÃO:



- FONTE DE ALIMENTAÇÃO:** Conector IEC, interruptor ON/OFF e suporte de fusível integrado. Ligue o cabo de alimentação fornecido a este conector.
- INTERRUPTOR ON/OFF ACTIVADO POR CHAVE:** Permite ligar e desligar a unidade. Use as chaves para que unicamente pessoas experientes possam ligar o laser.
- MICROFONE INTERNO:** O microfone incorporado é utilizado para sincronizar a apresentação laser ao ritmo da música.
- SELECTOR AUTO/MUSIC:** este selector coloca a unidade em modo music (as imagens mudam ao ritmo da batida) ou auto (imagens mudam automaticamente)
- ANEL DE SEGURANÇA:** Utilizado para prender um cabo de segurança quando a unidade é instalada em suspensão (ver parágrafo "instalação em suspensão")
- SENSIBILIDADE ENTRADA DE MÚSICA:** Este potenciómetro é utilizado para ajustar a sensibilidade de entrada de música. Gire o potenciómetro até que o laser funcione em sincronização com a música.
- VENTOINHA DE ARREFECIMENTO:** Utilizada para arrefecer os componentes no interior da unidade. Nunca cubra a saída desta ventoinha!
- Entrada INTERLOCK:** Usada para conectar o interruptor opcional de paragem de emergência (ver foto). Quando pressionar este interruptor o raio laser irá desaparecer imediatamente.
IMPORTANTE! Para a sua própria segurança, nós recomendamos que conecte este interruptor opcional!





9. **LED POWER:** Indica que a unidade está ligada.
10. **LED SOUND:** Pisca ao ritmo da música detectada pelo microfone interno.
11. **SUPORTE DE SUSPENSÃO:** Contém 2 parafusos de aperto em ambos os lados para fixar a unidade e um orifício para aplicação de um gancho de montagem.
12. **SAÍDA DO LASER:** O laser é projectado através desta abertura. NUNCA olhe para o interior da unidade através desta abertura quando o laser estiver ligado!
13. **RÓTULO DE AVISO:** "Atenção – Laser classe 3B. Exposição a radiação laser caso abra a unidade. Evite exposição ao feixe."
14. **RÓTULO DE AVISO:** "Laser Aperture" (Orifício de saída laser)
15. **SÍMBOLO DE AVISO LASER:** Alerta para existência de um laser potencialmente perigoso quando não utilizado por técnicos qualificados.
16. **RÓTULO DE AVISO:** "Radiação laser. Evite exposição ao feixe. Produto laser classe 3B"

INSTALAÇÃO EM SUSPENSÃO

- **Importante:** A instalação deve ser efectuada unicamente por pessoal qualificado. Uma instalação incorrecta pode resultar em ferimentos graves e/ou danos na sua propriedade. Para efectuar uma instalação em suspensão é necessária muita experiência! Respeite os limites de carga, utilize materiais de instalação aprovados e inspecione a unidade instalada regularmente de forma a assegurar a segurança.

- Certifique-se que sob a área de instalação da unidade não irão passar pessoas durante a instalação e manutenção.
- Coloque esta unidade num local arejado, afastada de materiais inflamáveis e/ou líquidos. Esta unidade deverá ser instalada a **pelos menos 50cm** de distância de paredes circundantes.
- A unidade deve ser instalada fora do alcance das pessoas; afastada de áreas onde as pessoas possam passar ou sentar-se.
- Antes de proceder à instalação certifique-se que a área seleccionada pode suportar uma carga mínima de 10 vezes o peso da unidade.
- Na instalação, utilize sempre um cabo de segurança aprovado com capacidade para suportar 12 vezes o peso da unidade. Esta medida de segurança secundária deverá ser instalada de forma a que nenhuma parte da instalação possa cair mais de 20 cm caso o ponto de apoio principal ceda.
- A unidade deverá ser fixa firmemente. Uma instalação oscilante pode ser perigosa e não deverá ser efectuada!
- Não cubra os orifícios de ventilação ou a unidade poderá sobreaquecer.
- O utilizador da unidade deverá certificar-se que a instalação é aprovada em termos de segurança e em termos técnicos por uma pessoa qualificada antes de efectuar a primeira utilização. A instalação deverá ser inspeccionada todos os anos por um técnico qualificado de forma a certificar-se que a segurança está assegurada.



ATENÇÃO PERIGO PARA OS OLHOS: Posicione sempre o laser de forma a que o público presente não possa olhar directamente para os feixes laser. A instalação deverá assegurar que o feixe não atinge as pessoas.

FUNCIONAMENTO DA UNIDADE

- Deverá efectuar pausas regulares no funcionamento de forma a prolongar a duração desta unidade visto que esta não está preparada para uma utilização contínua.
- Não ligue e desligue a unidade em curtos períodos de tempo, irá reduzir a duração da lâmpada.
- Desligue sempre a unidade da corrente quando não for usada durante um longo período ou antes de assistência técnica.
- Caso a unidade apresente problemas sérios de funcionamento, interrompa a utilização da unidade e contacte o seu revendedor imediatamente.
- **Importante:** Nunca olhe directamente o feixe laser! Não utilize este efeito luminoso na presença de pessoas epiléticas.

A unidade pode ser operada de 2 formas:

1 MODO INDIVIDUAL AUTOMÁTICO:

- Coloque o selector auto/music (4) na posição "auto".
- Ligue a unidade através do interruptor de potência (1) e/ou através do interruptor on/off activado por chave (2).

2) MODO INDIVIDUAL CONTROLADO POR MÚSICA:

- Coloque o selector auto/music (4) na posição "music".
- Ligue a unidade através do interruptor de potência (1) e/ou através do interruptor on/off activado por chave (2).
- Ponha música com batida forte a tocar ao nível pretendido.
- Gire o potenciômetro da sensibilidade da música até que o feixe laser funcione em sincronização com a música.

MANUTENÇÃO

- Certifique-se que sob a área de instalação da unidade não irão passar pessoas durante a manutenção.
- Desligue o cabo de alimentação da corrente e aguarde que a unidade arrefeça.

Durante a inspeção deverá verificar os seguintes pontos:

- Todos os parafusos utilizados nas peças da unidade e na instalação deverão estar apertados firmemente e não poderão estar corroídos.
- A cobertura da unidade, os pontos de fixação e as áreas de instalação (tecto, armação, etc.) não deverão apresentar qualquer deformação.
- Caso uma lente apresente danos visíveis como fendas ou riscos profundos, deverá ser substituída imediatamente.
- O cabo de alimentação deverá estar em perfeitas condições e deverá ser substituído assim que for detectado o mais pequeno dano.
- As ventoinhas de arrefecimento (caso existam) e os orifícios de ventilação deverão ser limpos todos os meses.
- Utilize um aspirador ou um compressor de ar para limpar o interior da unidade uma vez por ano.
- De forma a otimizar a projecção de luz, limpe as lentes ópticas internas e externas e/ou espelhos periodicamente. A regularidade das limpezas depende do ambiente em que está instalada a unidade: um ambiente húmido, com fumo ou poeiras dará origem a uma maior acumulação de impurezas nas ópticas da unidade.
 - Utilize um pano macio e um limpa-vidros normal na limpeza da unidade.
 - Seque sempre as peças cuidadosamente.
 - Limpe as ópticas externas pelo menos uma vez em cada 30 dias.
 - Limpe as ópticas internas pelo menos uma vez em cada 90 dias.

Atenção: Recomendamos vivamente que a limpeza do interior da unidade seja efectuada por pessoal qualificado!

ESPECIFICAÇÕES

Fonte de Alimentação:	AC 230V, 50Hz
Consumo:	12 W
Fusível:	250V 1,5A fusão lenta (20mm vidro)
Endereço DMX inicial:	001 → 255
Potência Laser:	Laser CW Verde 30mW ($\lambda = 532\text{nm}$)
Categoria Laser:	3B
Normas de segurança Laser:	EN60825-1:1994 + A1:2002 + A2:2002
Dimensões:	24,6 x 14,6 x 8,6cm
Peso:	2,7kg

Estas informações estão sujeitas a alterações sem aviso prévio

Pode fazer download da versão mais recente deste manual no nosso site: www.beglec.com